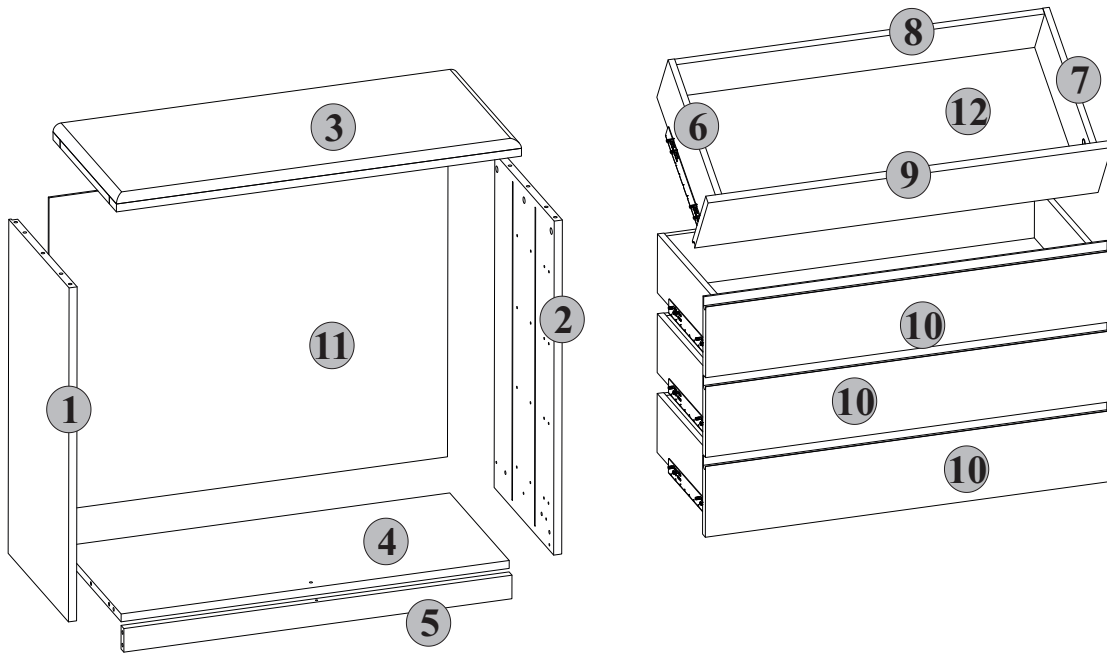
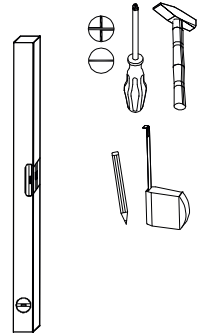
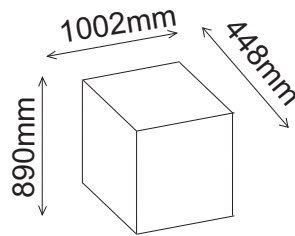
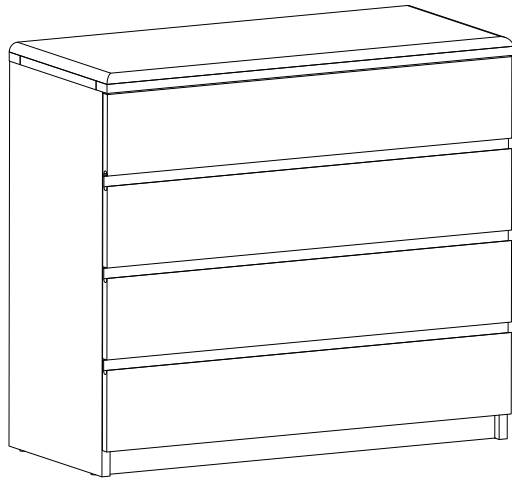


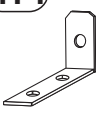

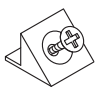

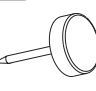
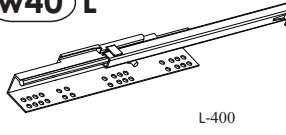
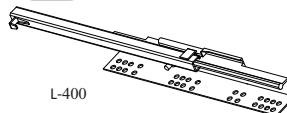




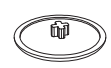

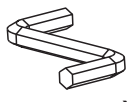
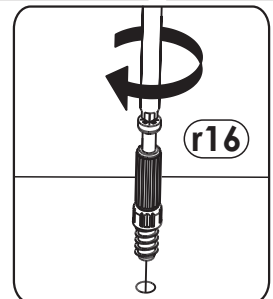
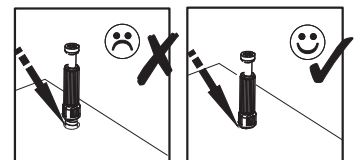
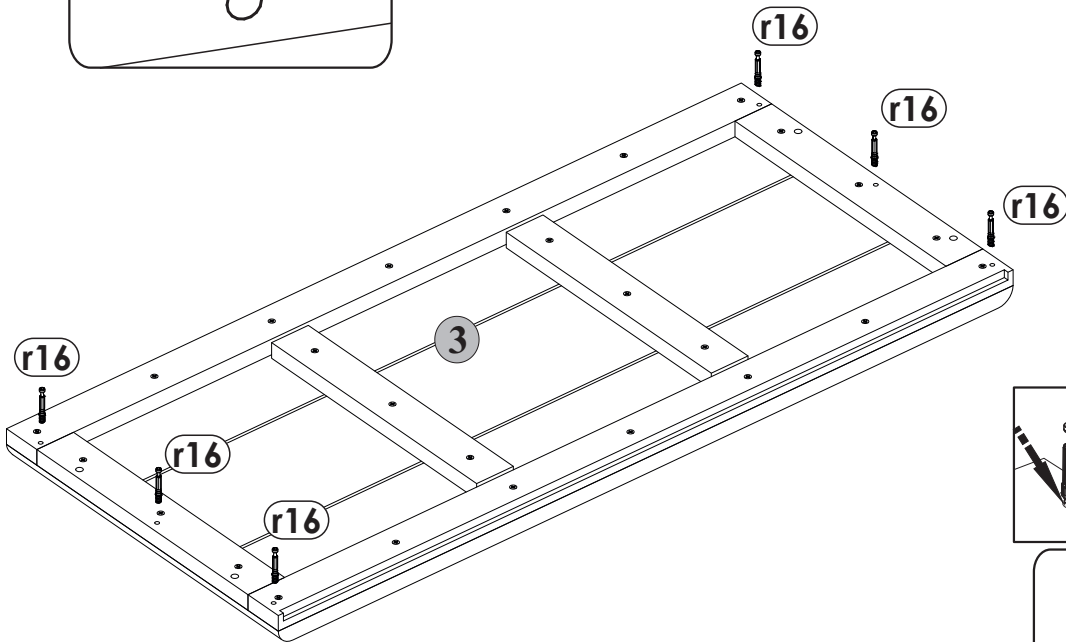
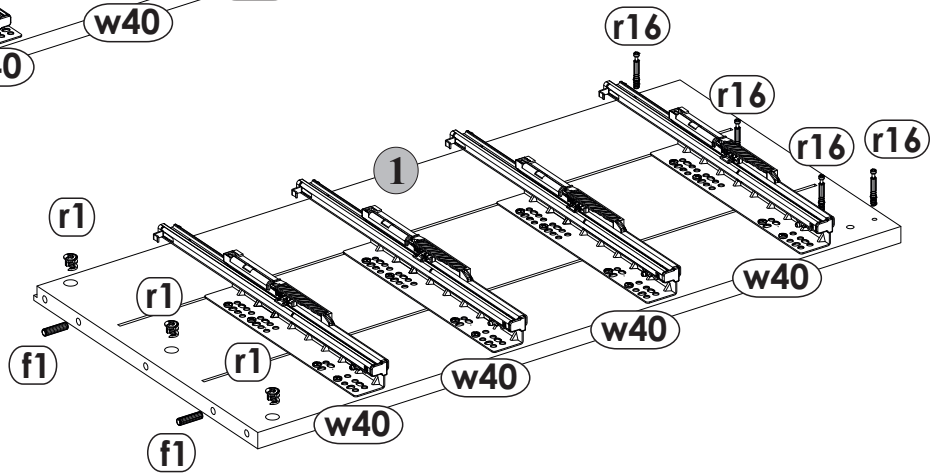
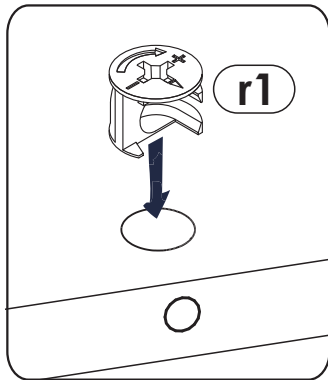
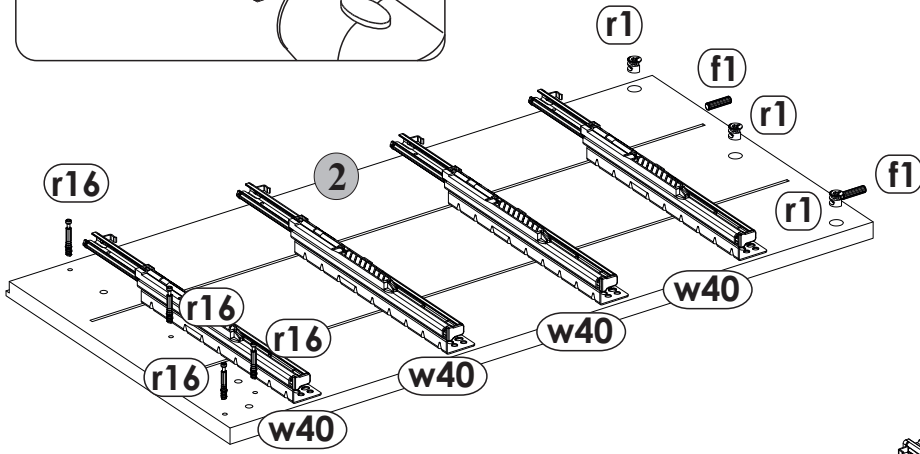
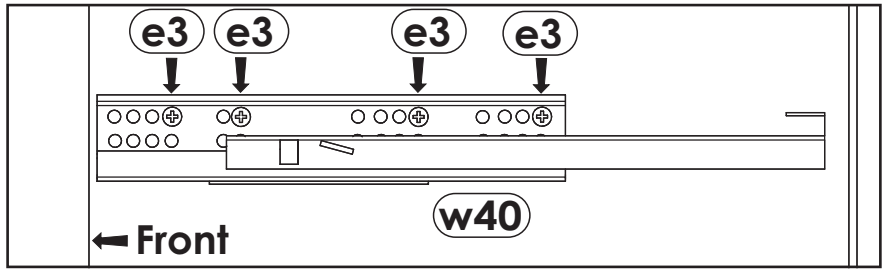
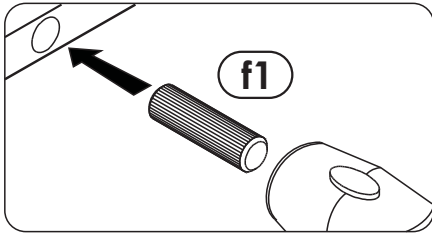


# Solid oak chest of drawers Pavla 4Z

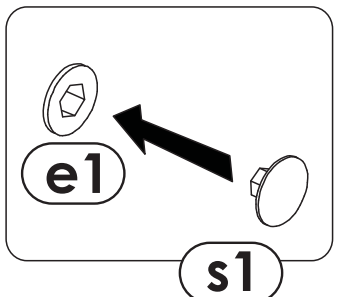
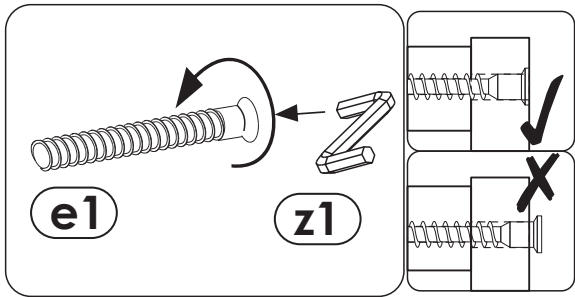
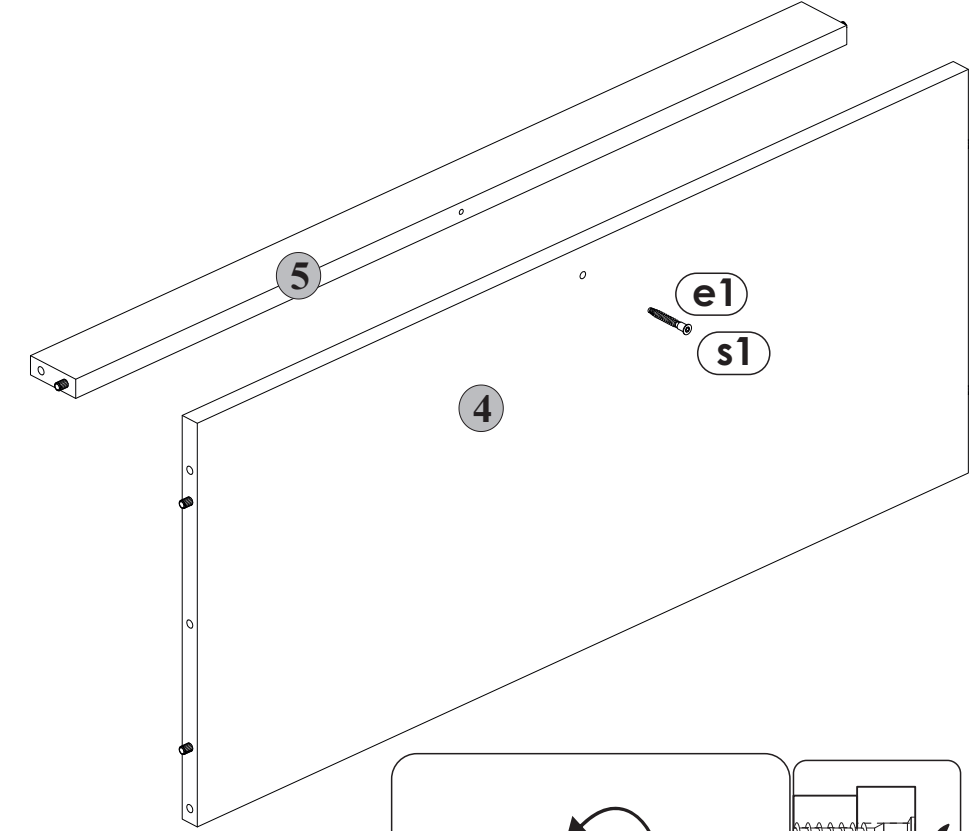
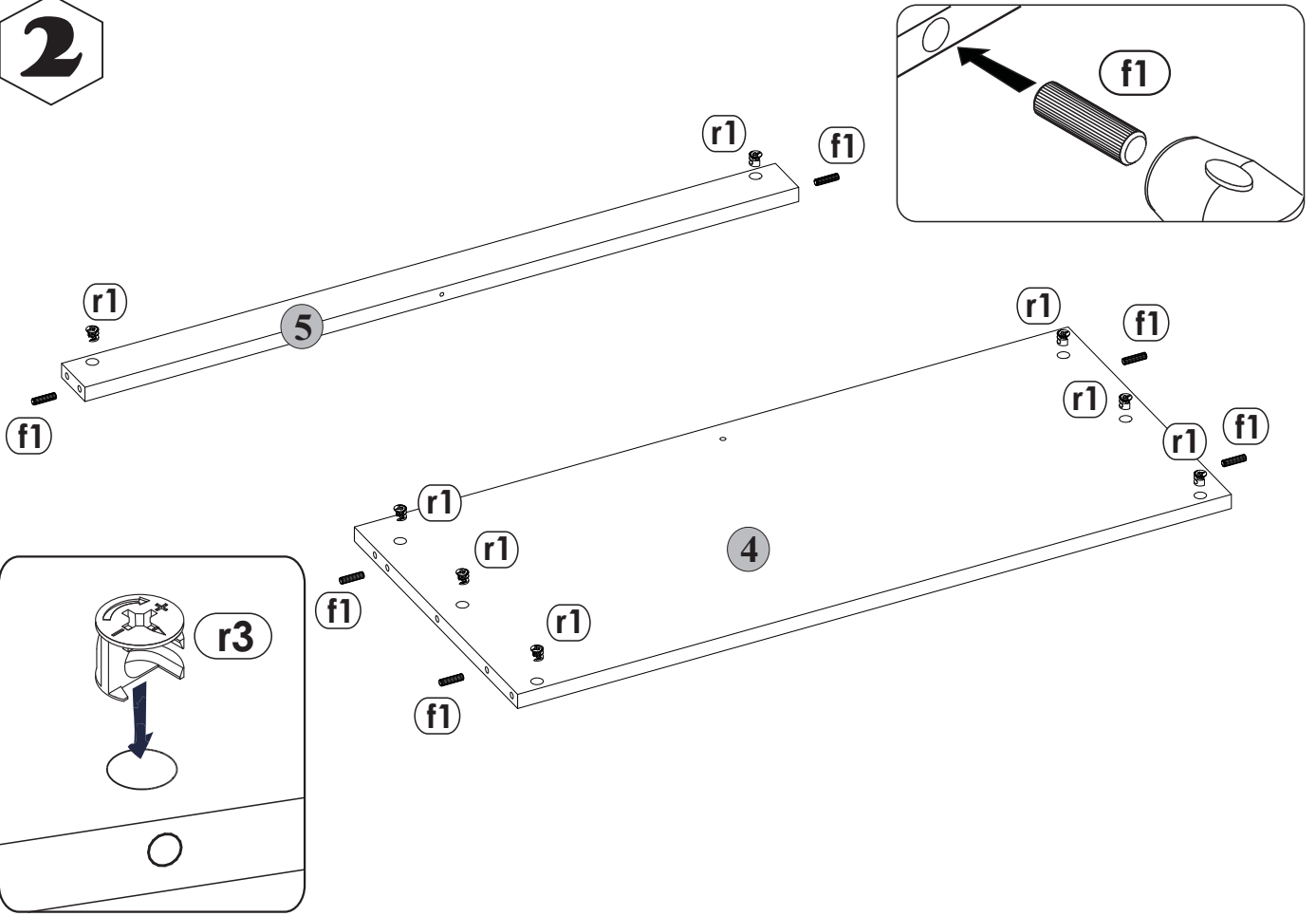


<b>e3</b>  $\phi 6.3 \times 13$ mm x32	<b>t17</b>  $\phi 8 \times 50$ mm x1	<b>n14</b>  x1				
<b>e1</b>  $\phi 6.5 \times 50$ mm x1	<b>l2</b>  x16	<b>p4</b>  $\phi 3.5 \times 16$ mm x20	<b>k1</b>  x7	<b>w40 L</b>  L-400 x4	<b>w40 R</b>  L-400 x4	
<b>f1</b>  $\phi 8 \times 30$ mm x26	<b>r16</b>  x46	<b>r1</b>  x46	<b>l1</b>  x40	<b>s2</b>  x32	<b>p1</b>  $\phi 3.5 \times 13$ mm x18	<b>z1</b>  x1

# I

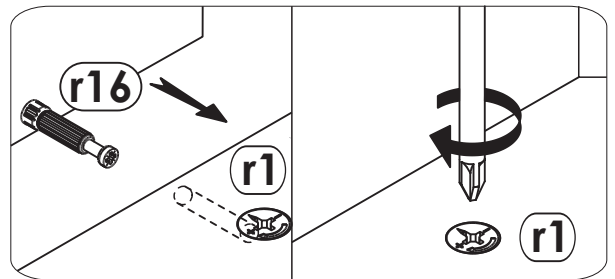
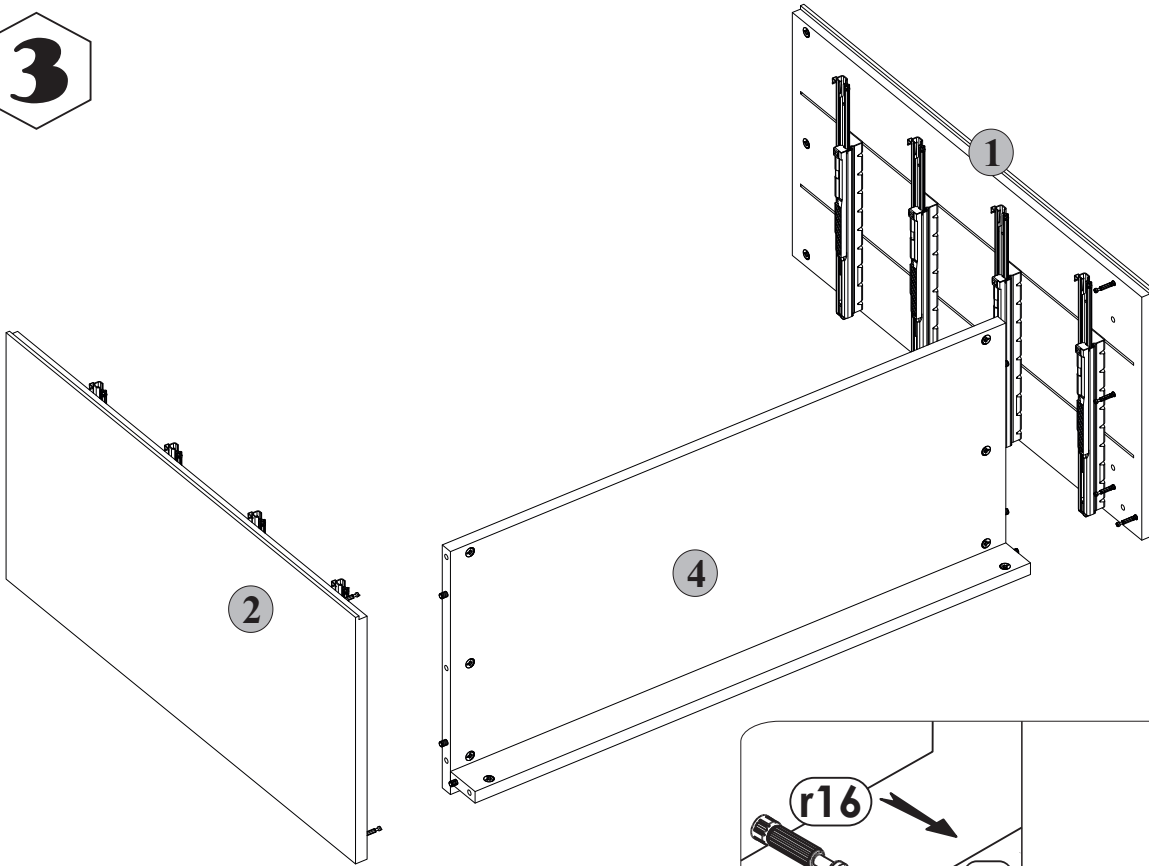


2

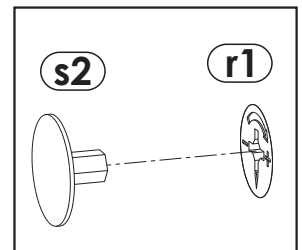
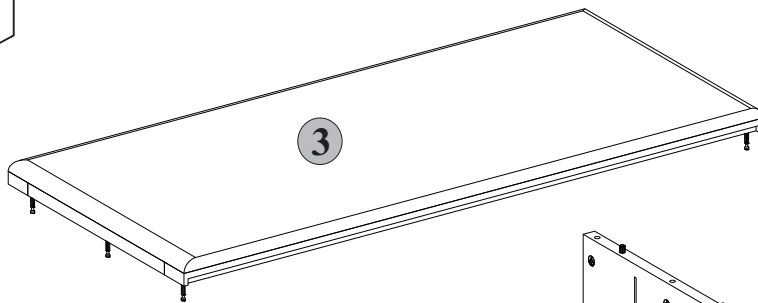


3

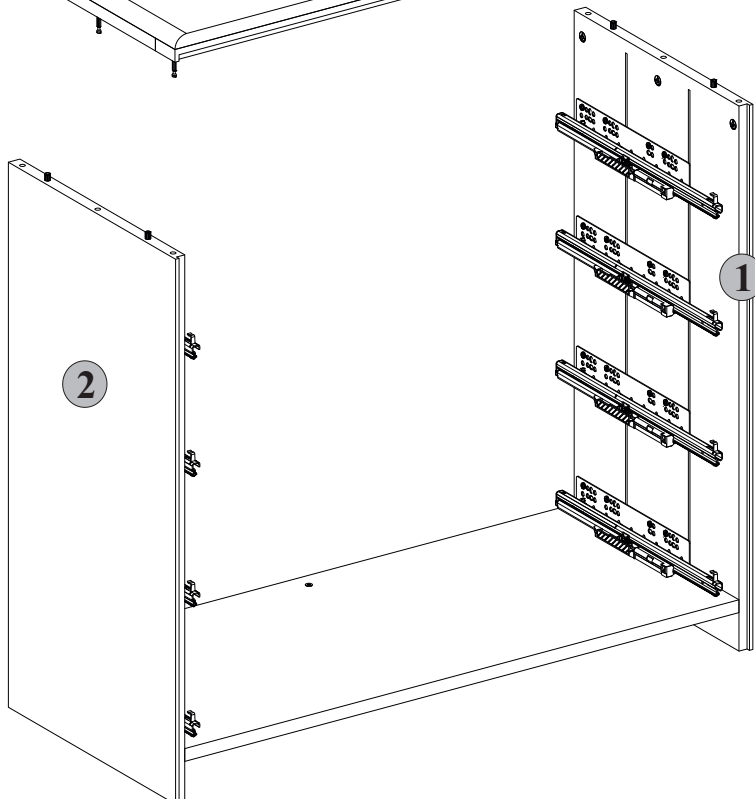
3



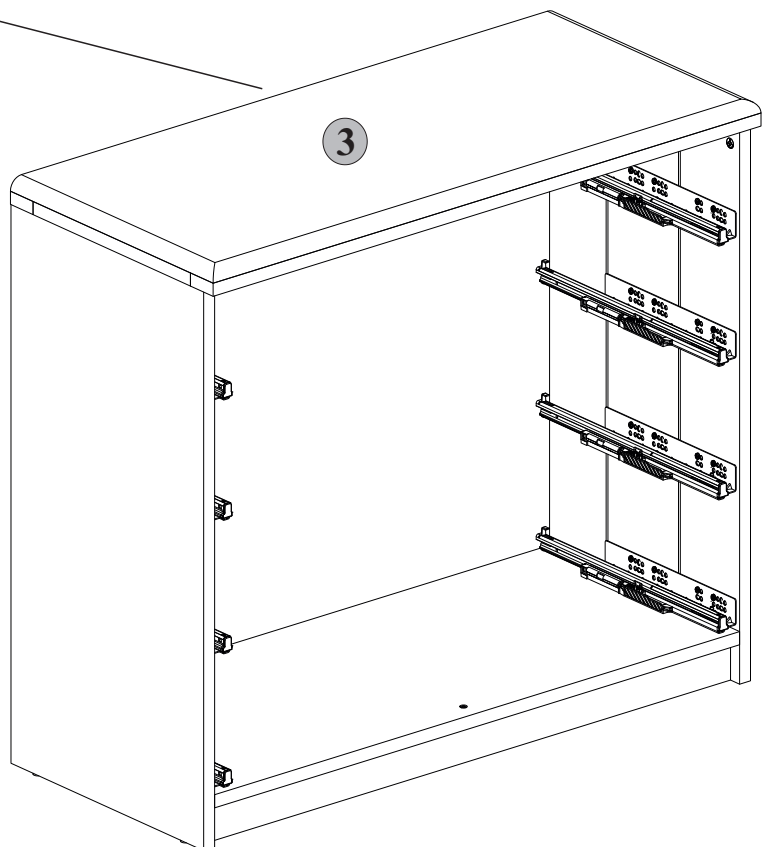
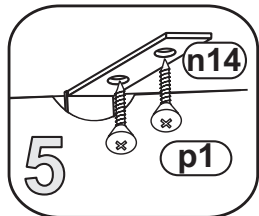
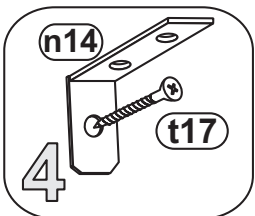
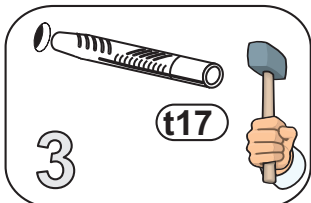
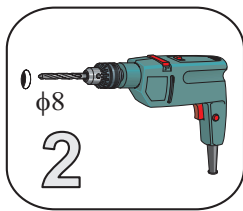
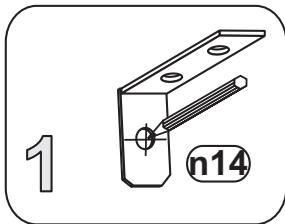
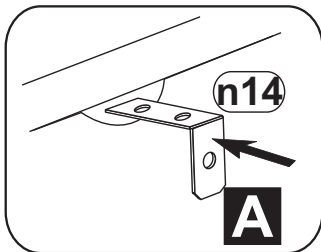
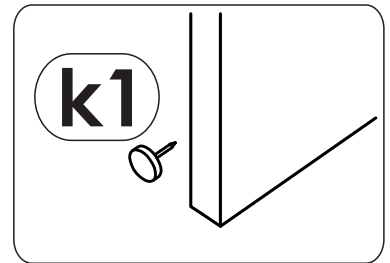
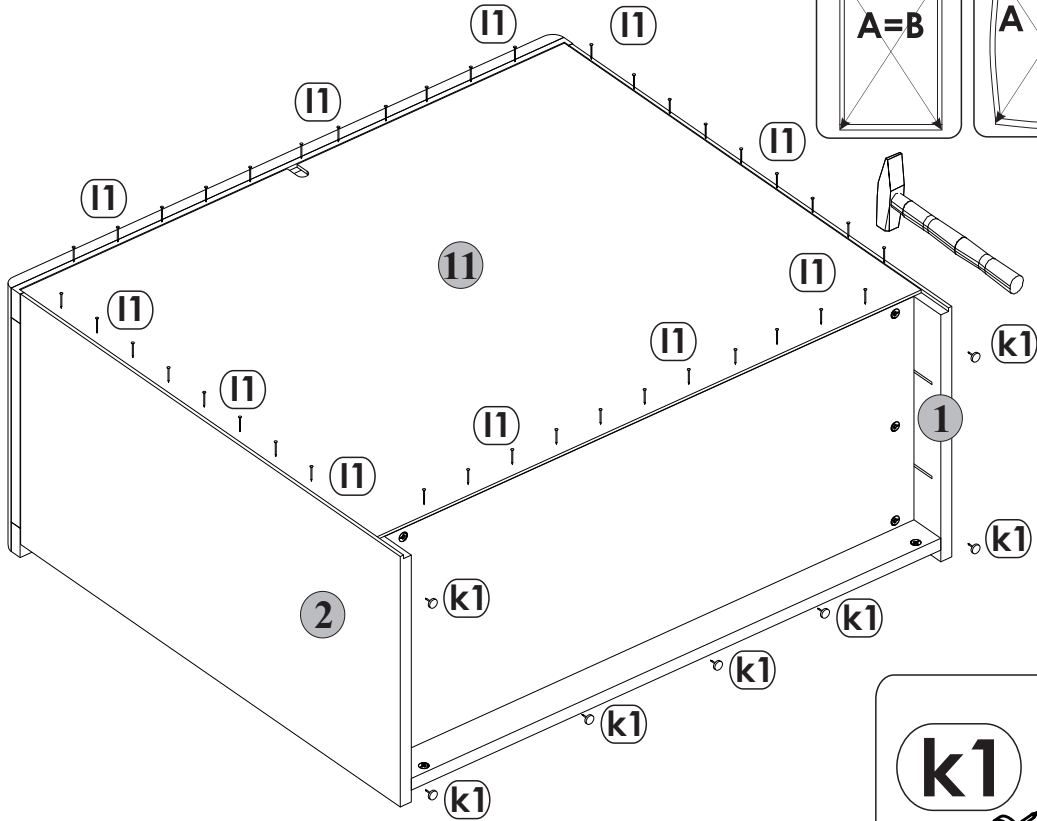
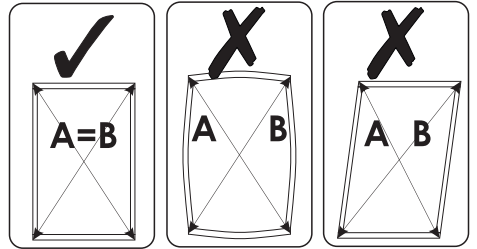
4



4

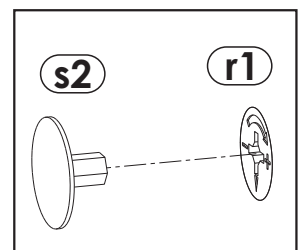
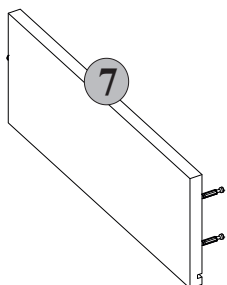
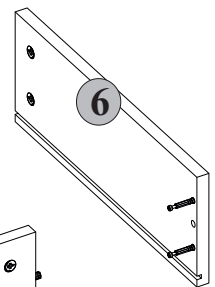
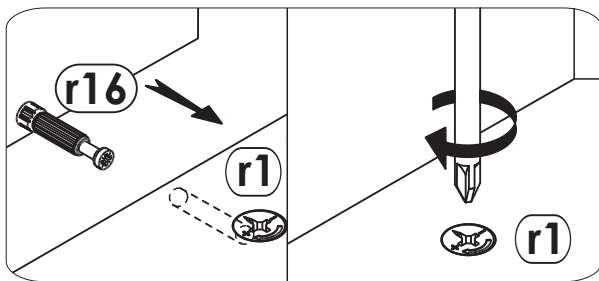
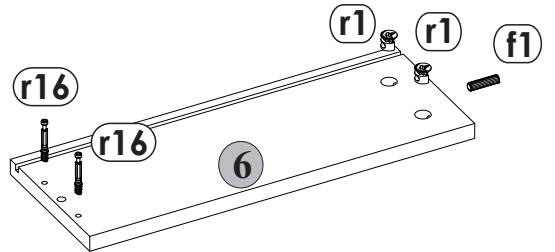
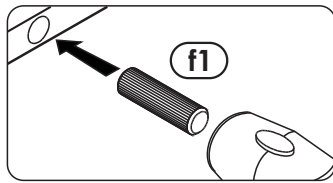
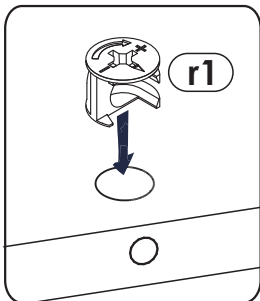
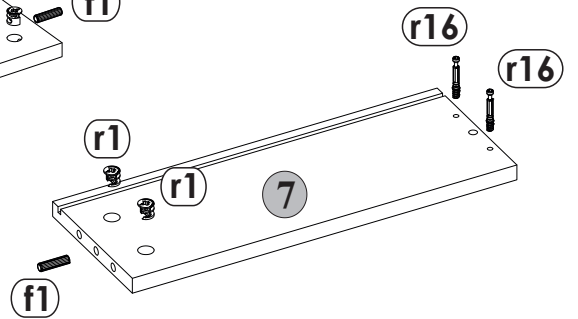
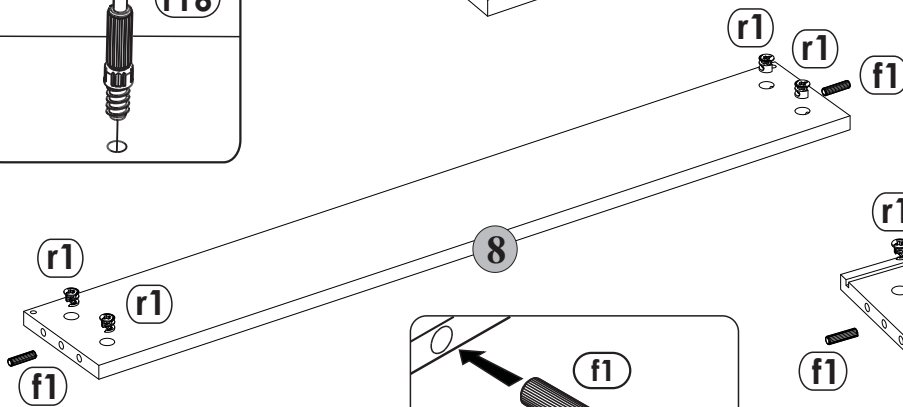
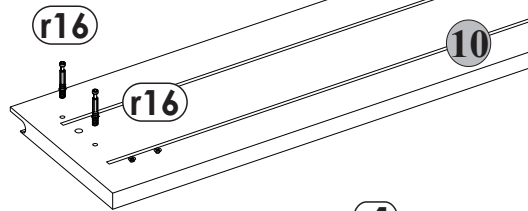
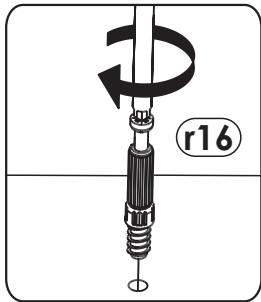
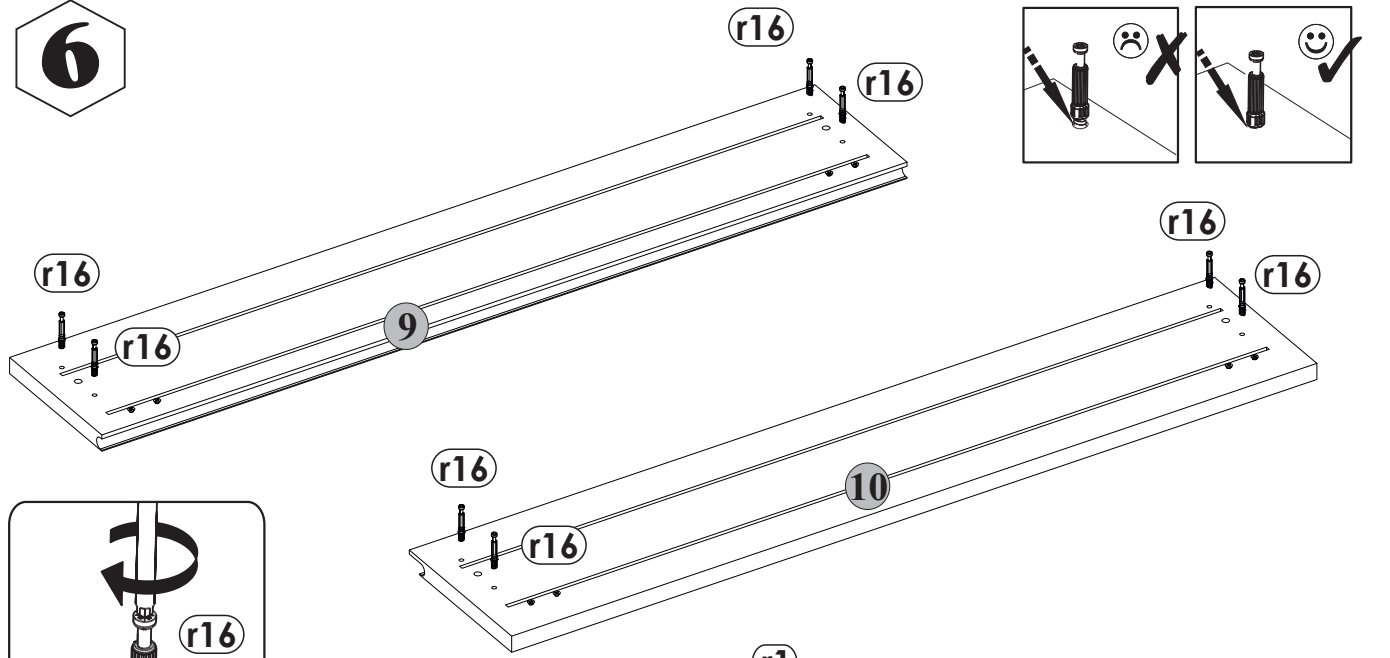


5



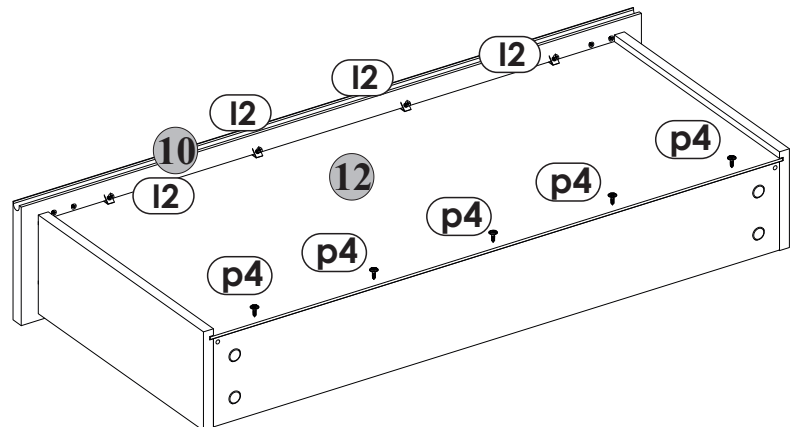
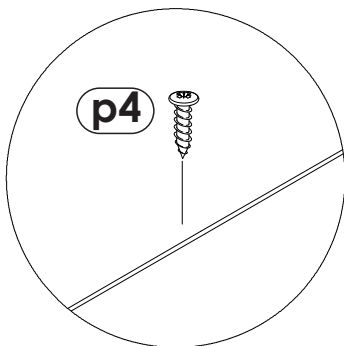
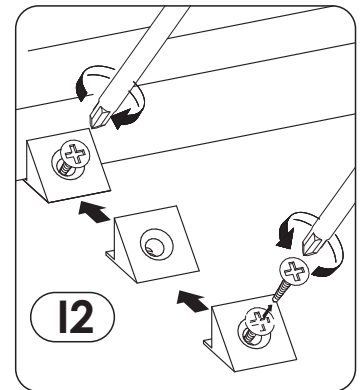
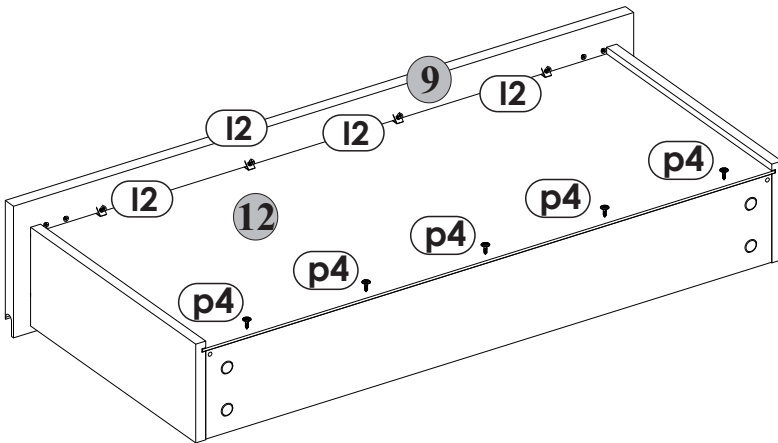
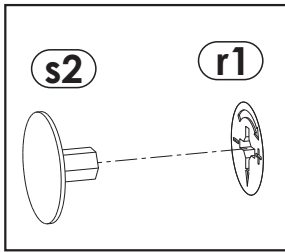
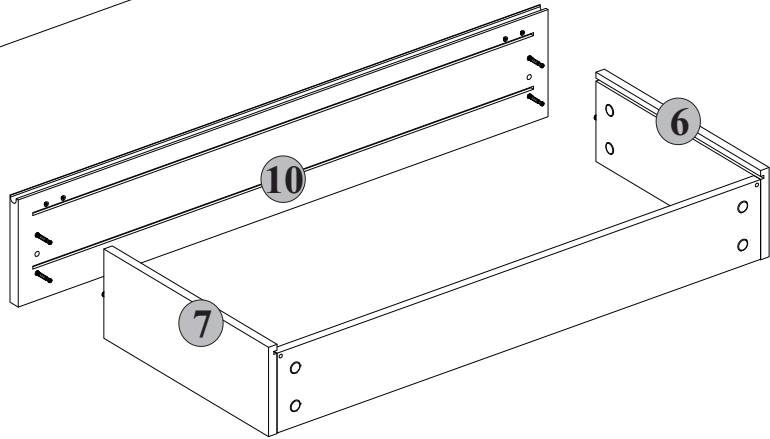
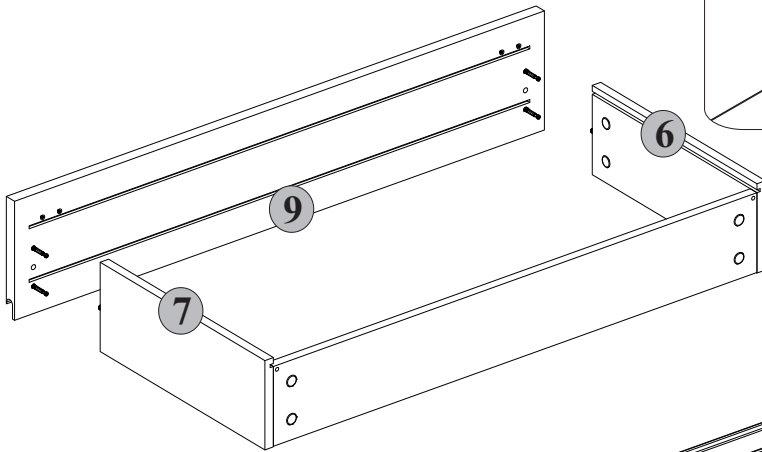
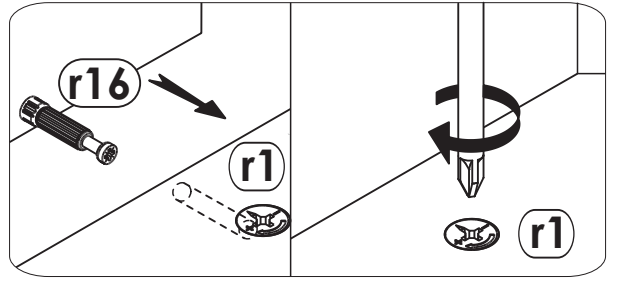
5

6



6

7



7

8

