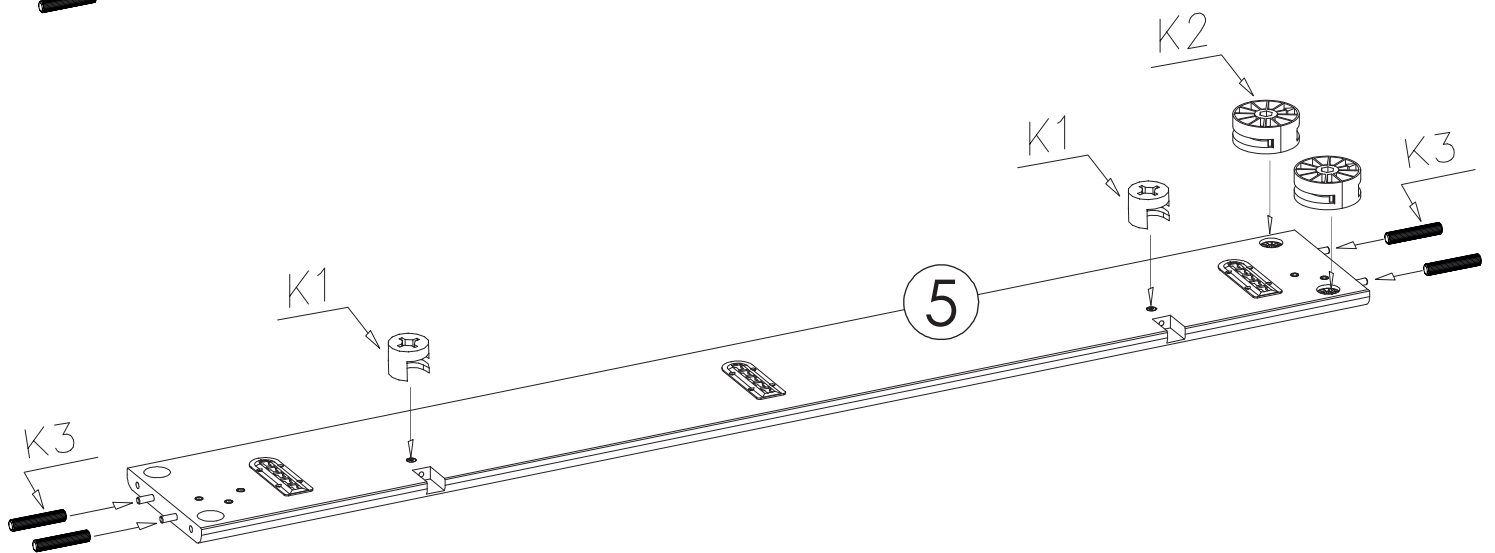
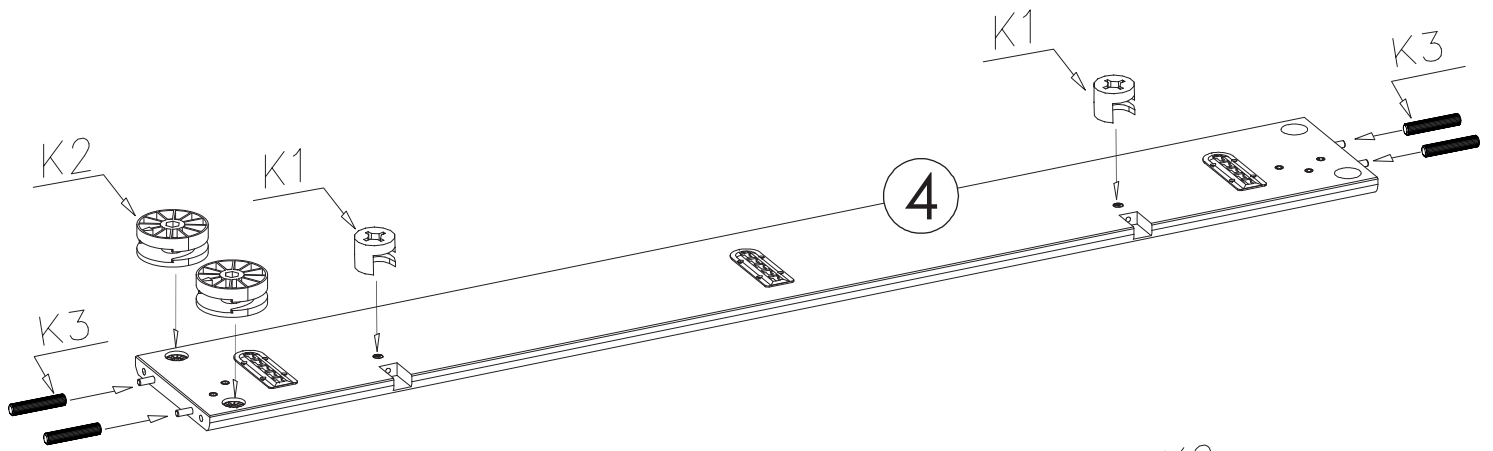
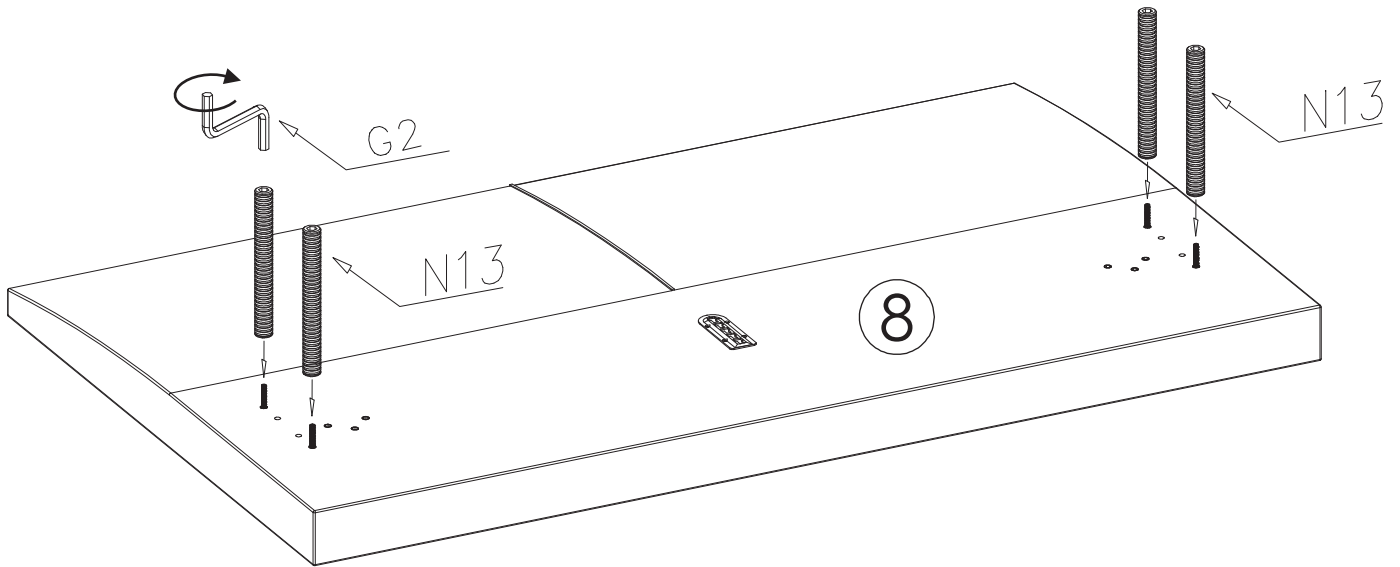
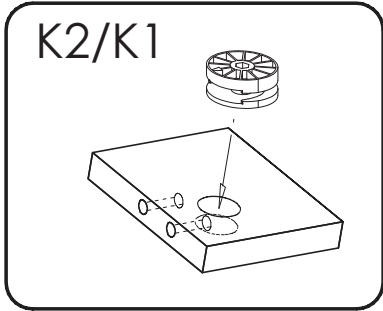


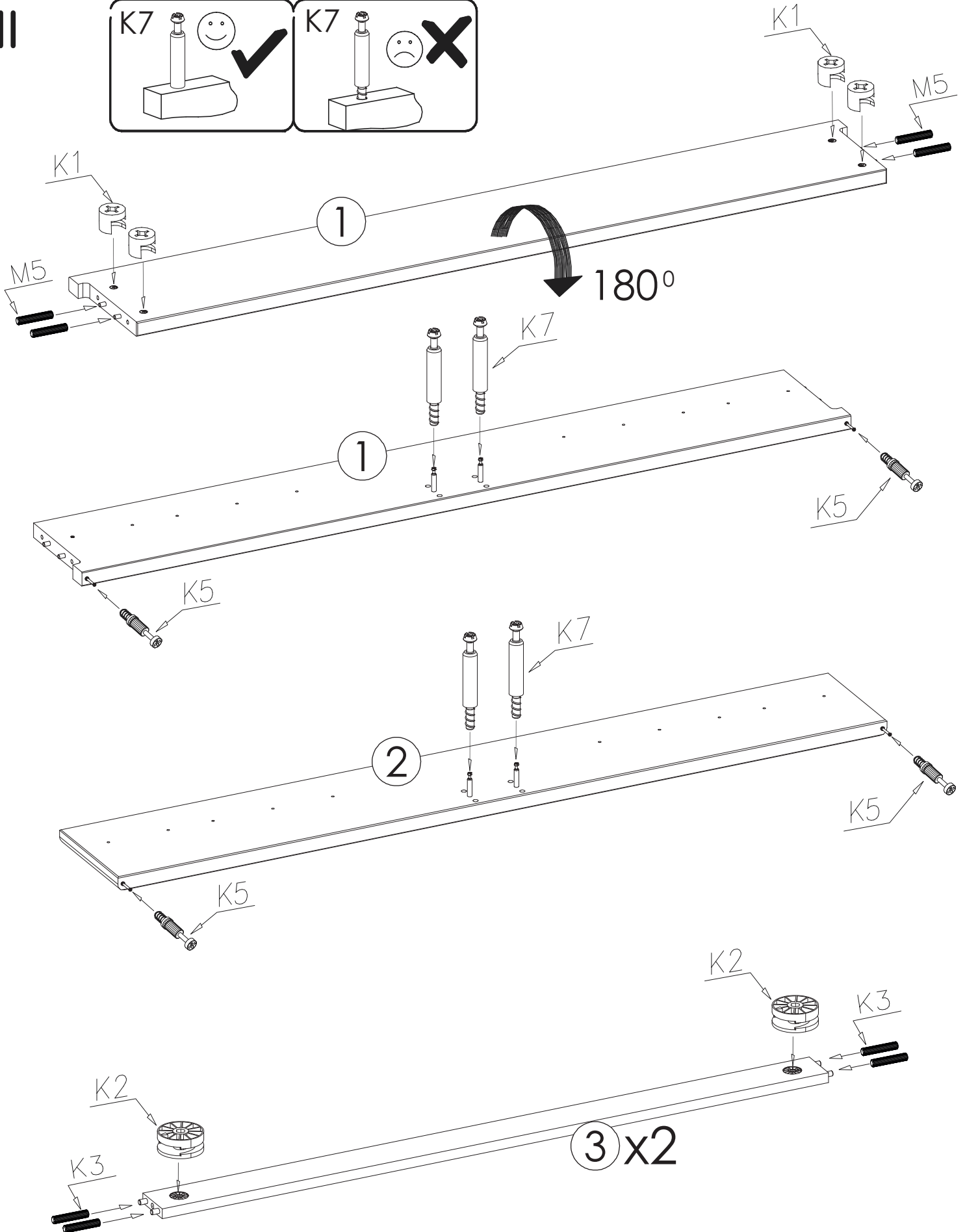
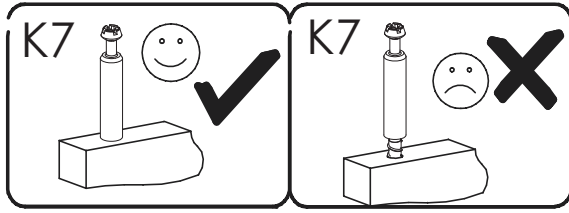
W3		x...(1)	G17		4x40	x...(4)
----	--	---------	-----	--	------	---------

K3		10x50	x...(20)	M5		8x35	x...(4)	G1		6	x...(1)	G2		4	x...(1)	N1		6x13	x...(20)
P1		x...(4)	M3		x...(8)	N5		x...(2)	N22		M5x25	x...(2)	N24		M8x40	x...(6)			
N7		x...(4)	N13		∅8x70	x...(4)	P8		x...(4)	P7		x...(2)	N23		M8x20	x...(14)			
K2		x...(12)	K7		x...(4)	K8		x...(8)	K1		x...(8)	K5		x...(8)					

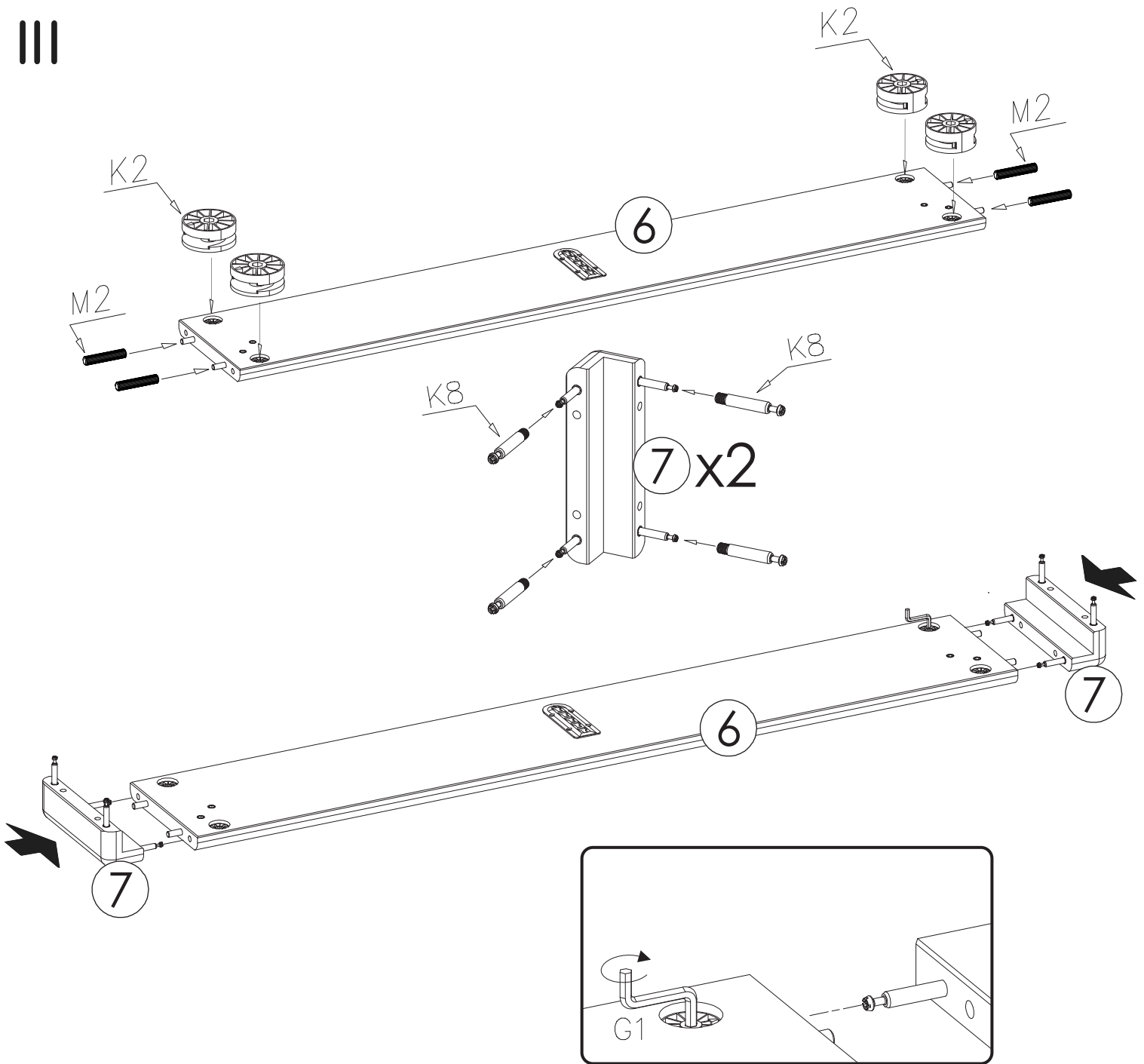
I



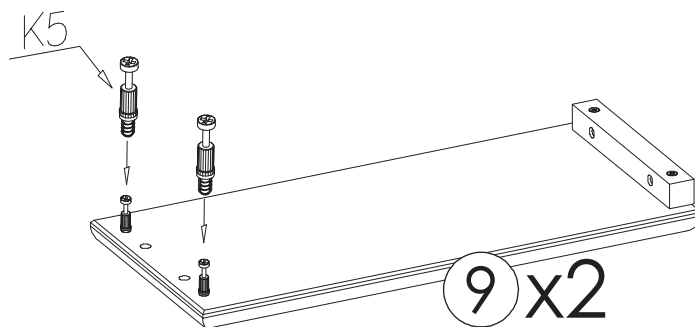
II



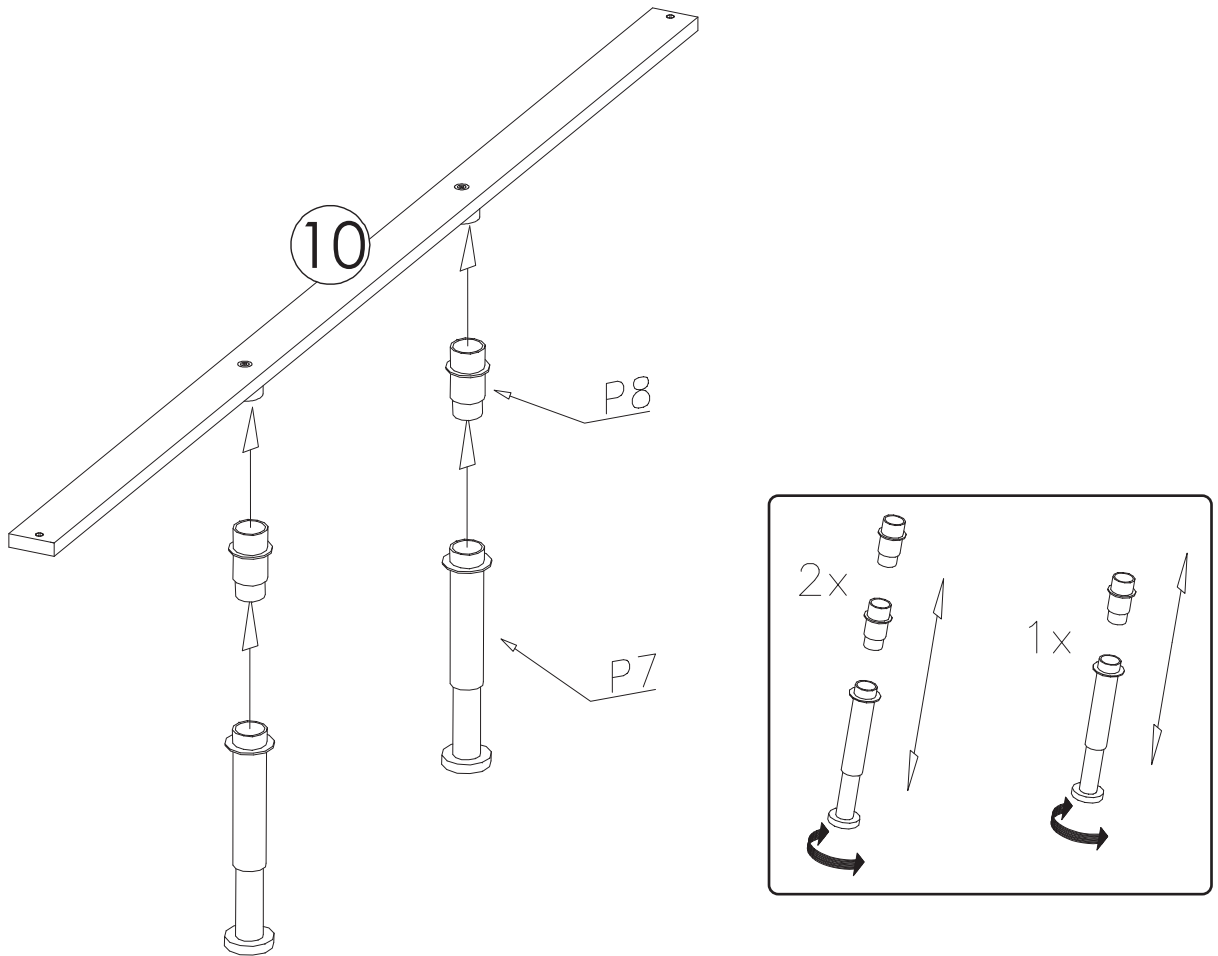
III



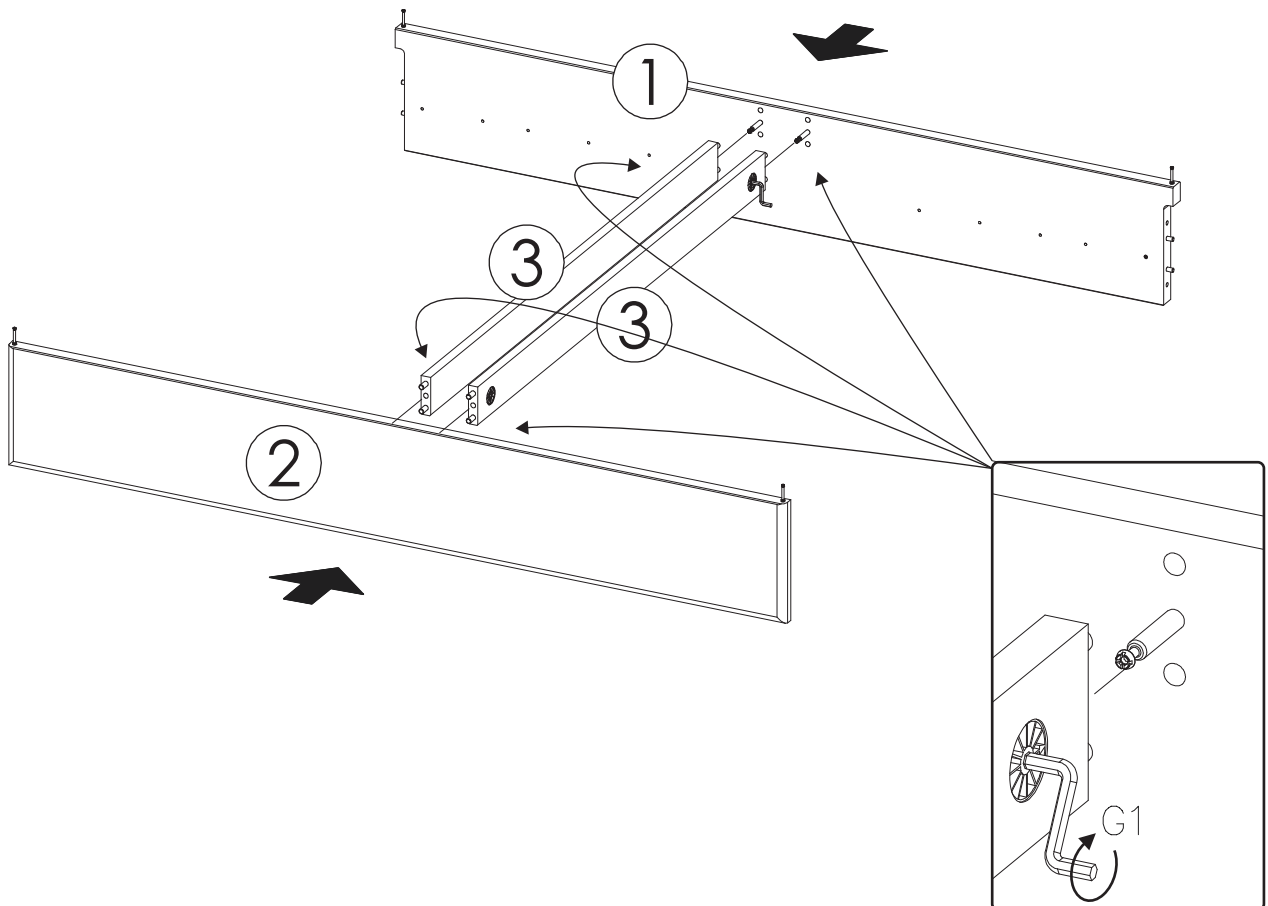
IV



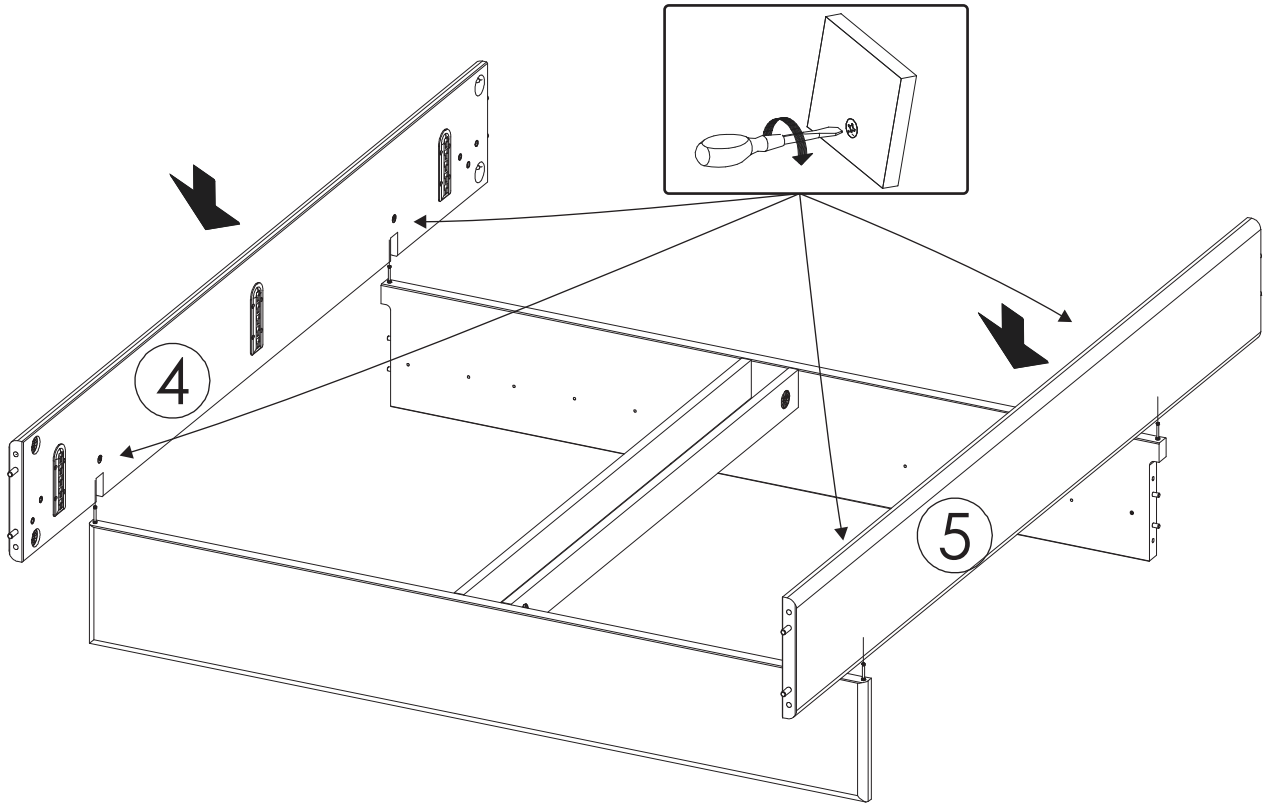
V



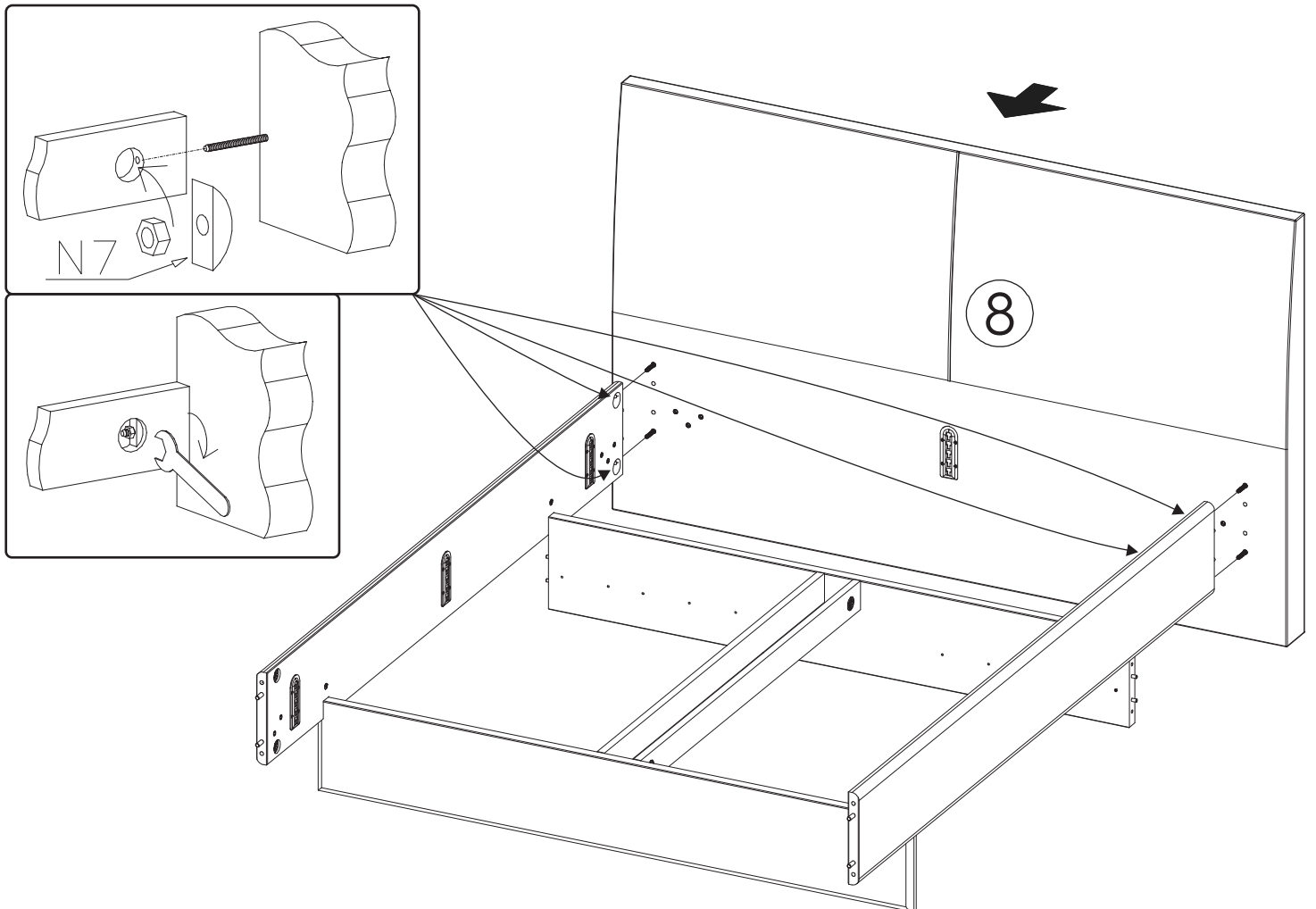
VI



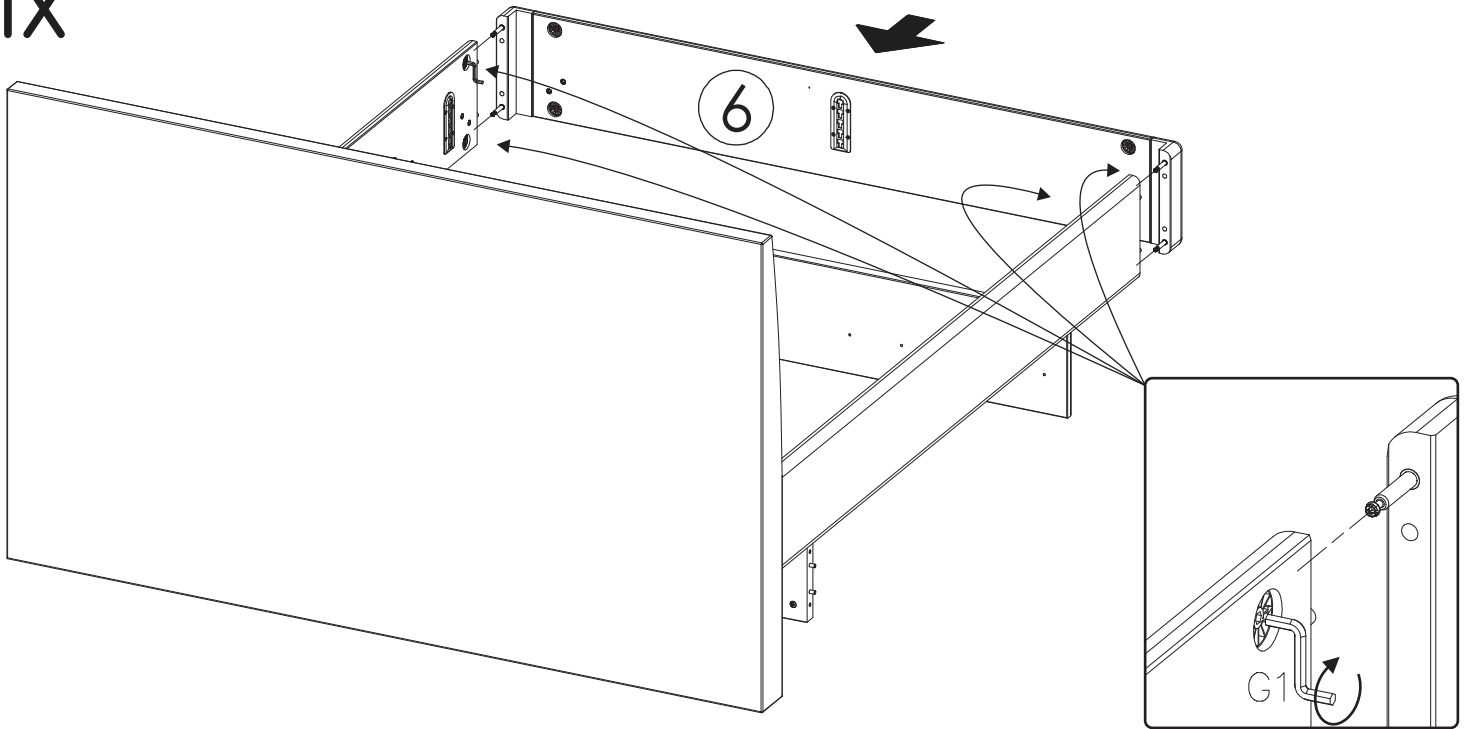
VII



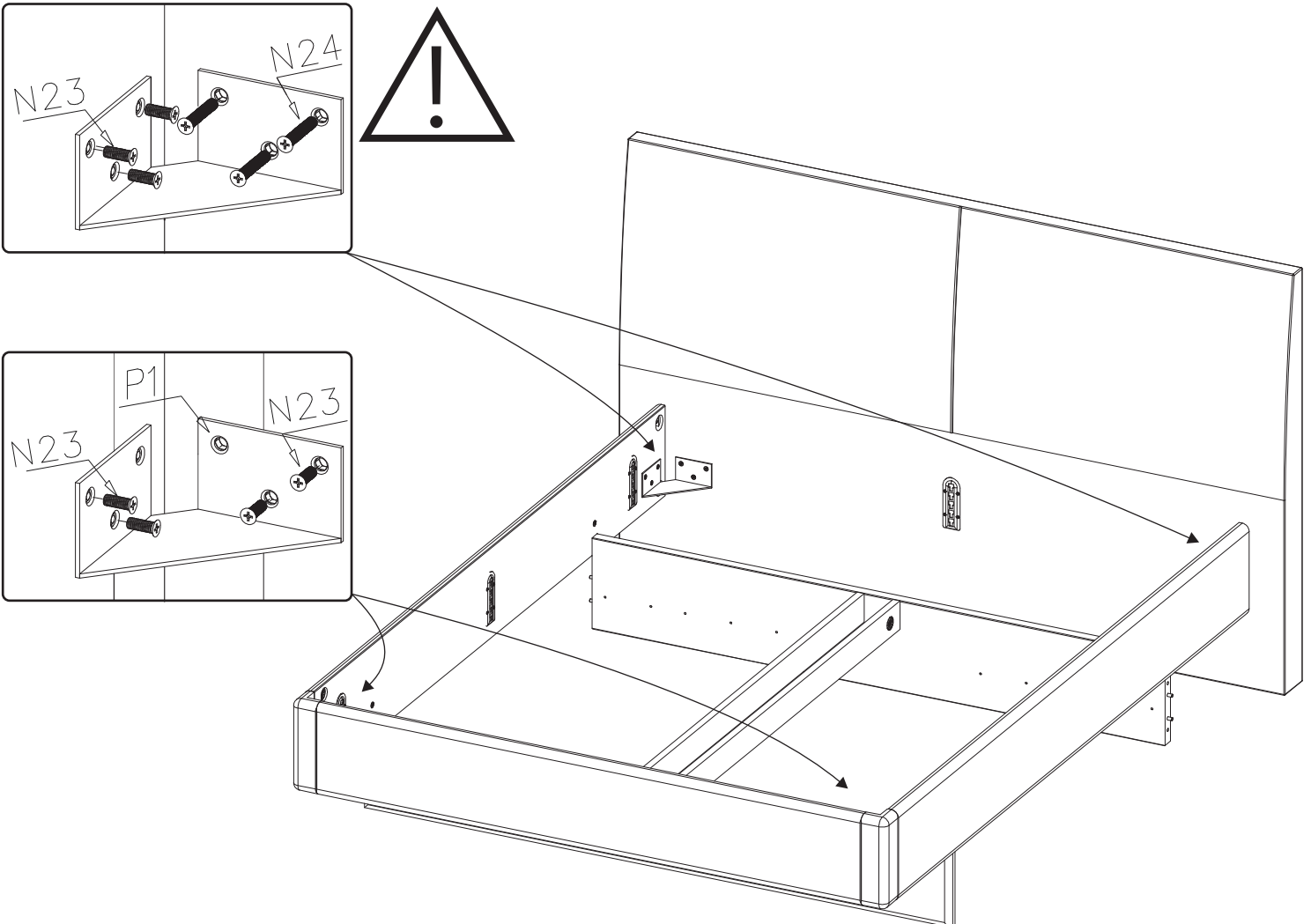
VIII



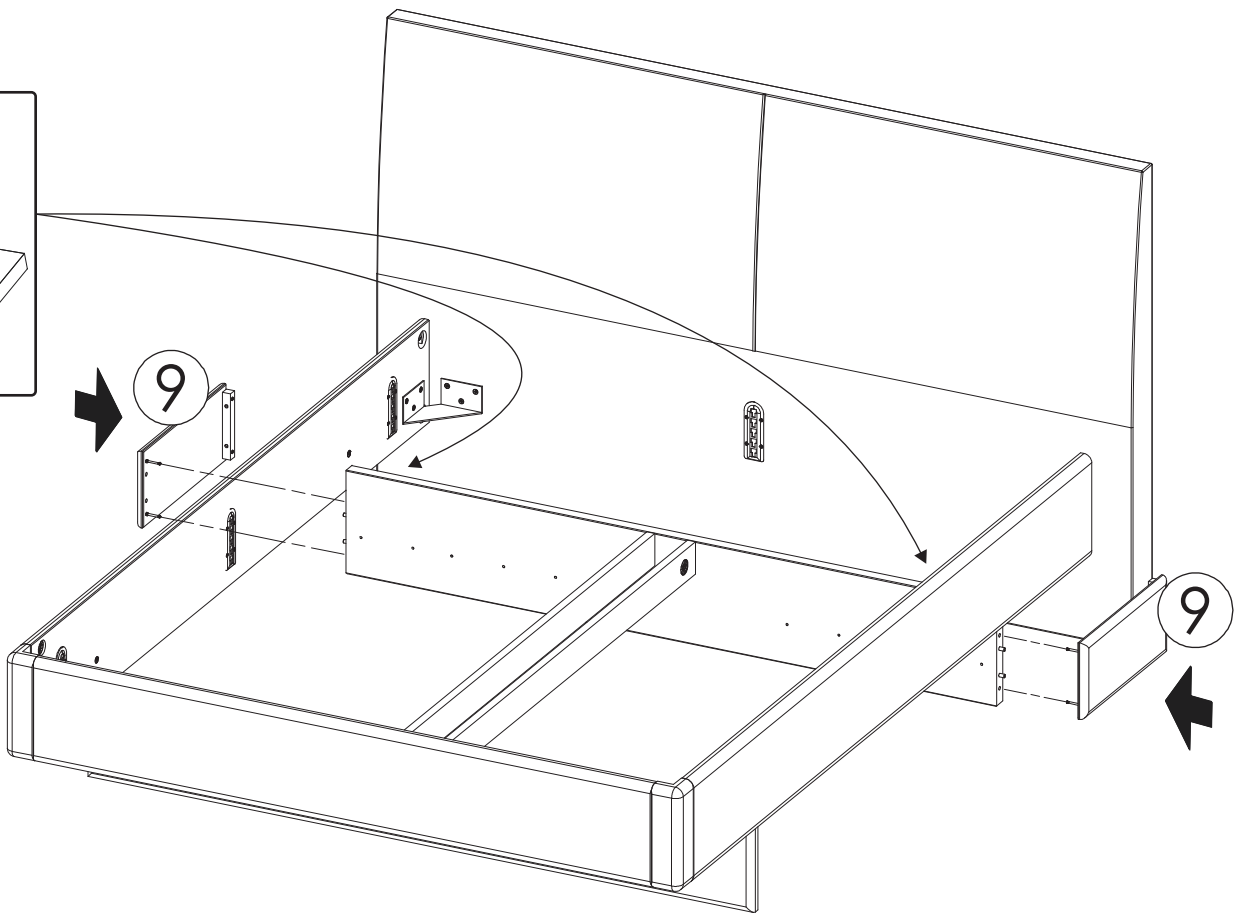
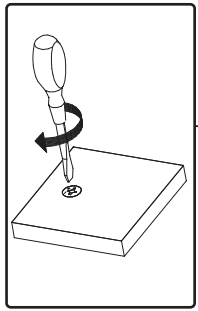
IX



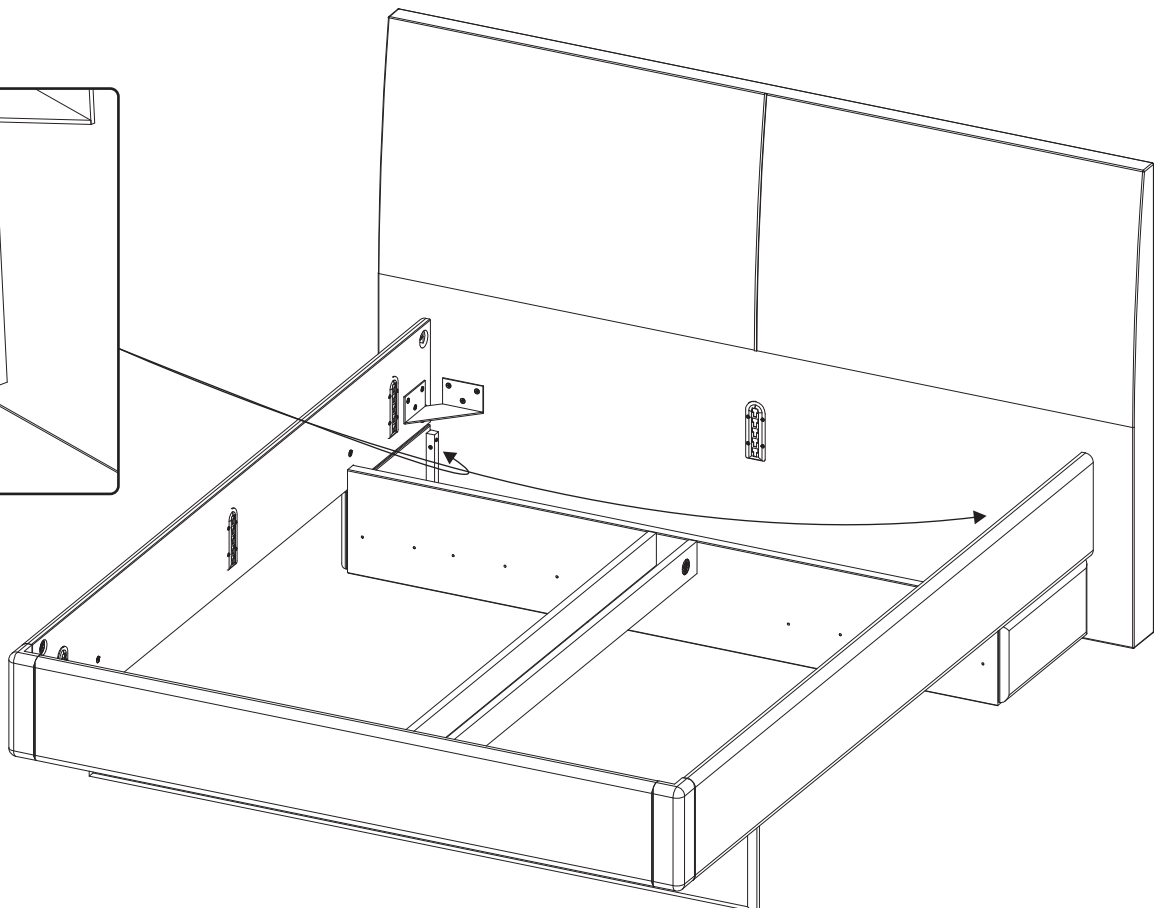
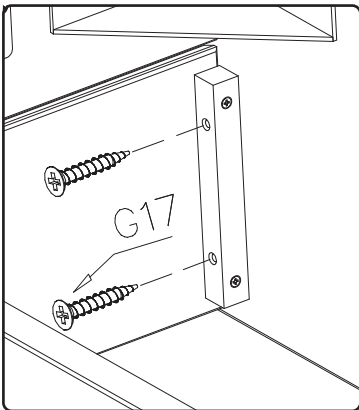
X



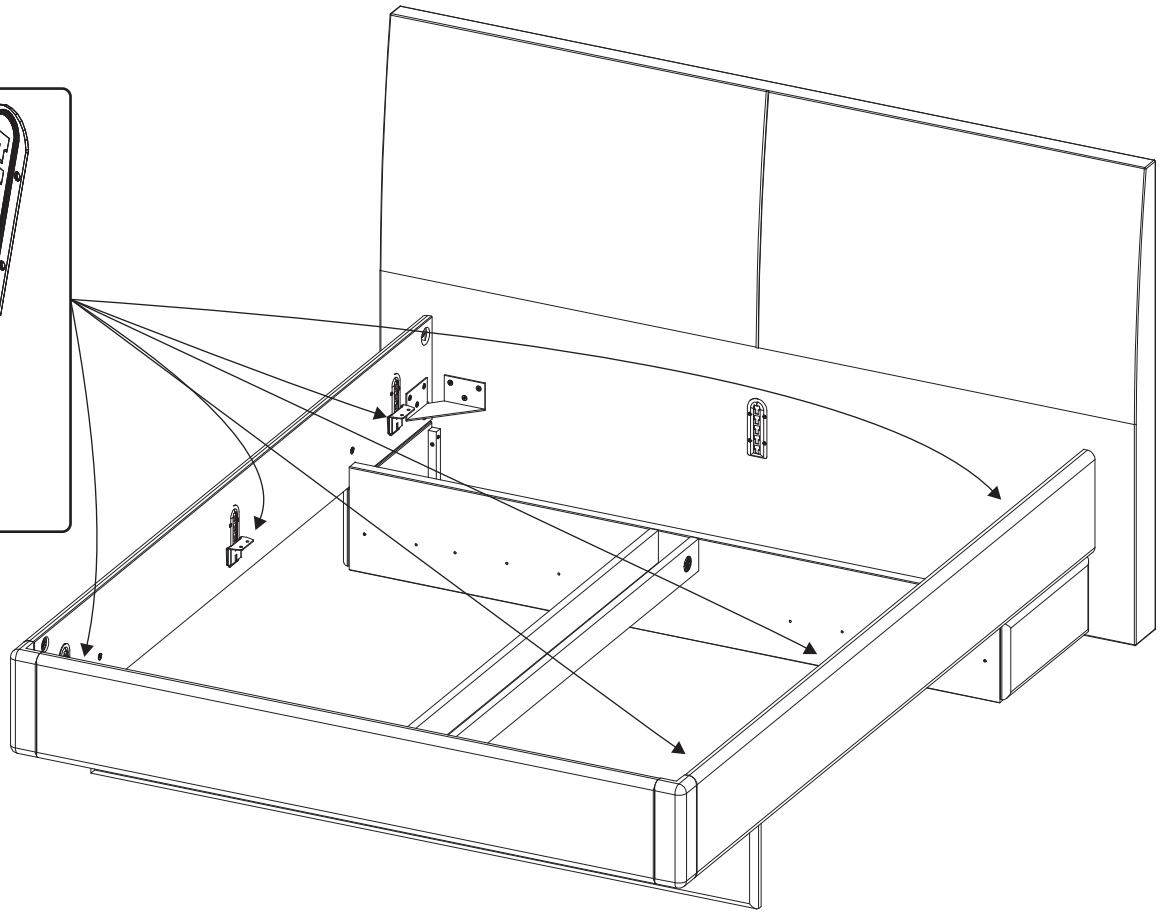
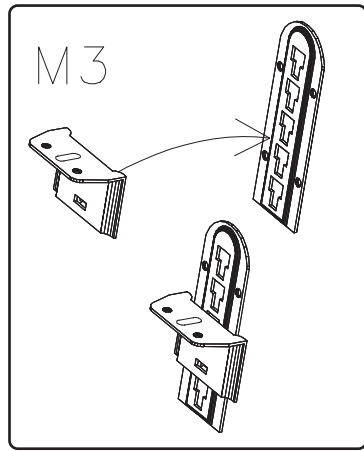
XI



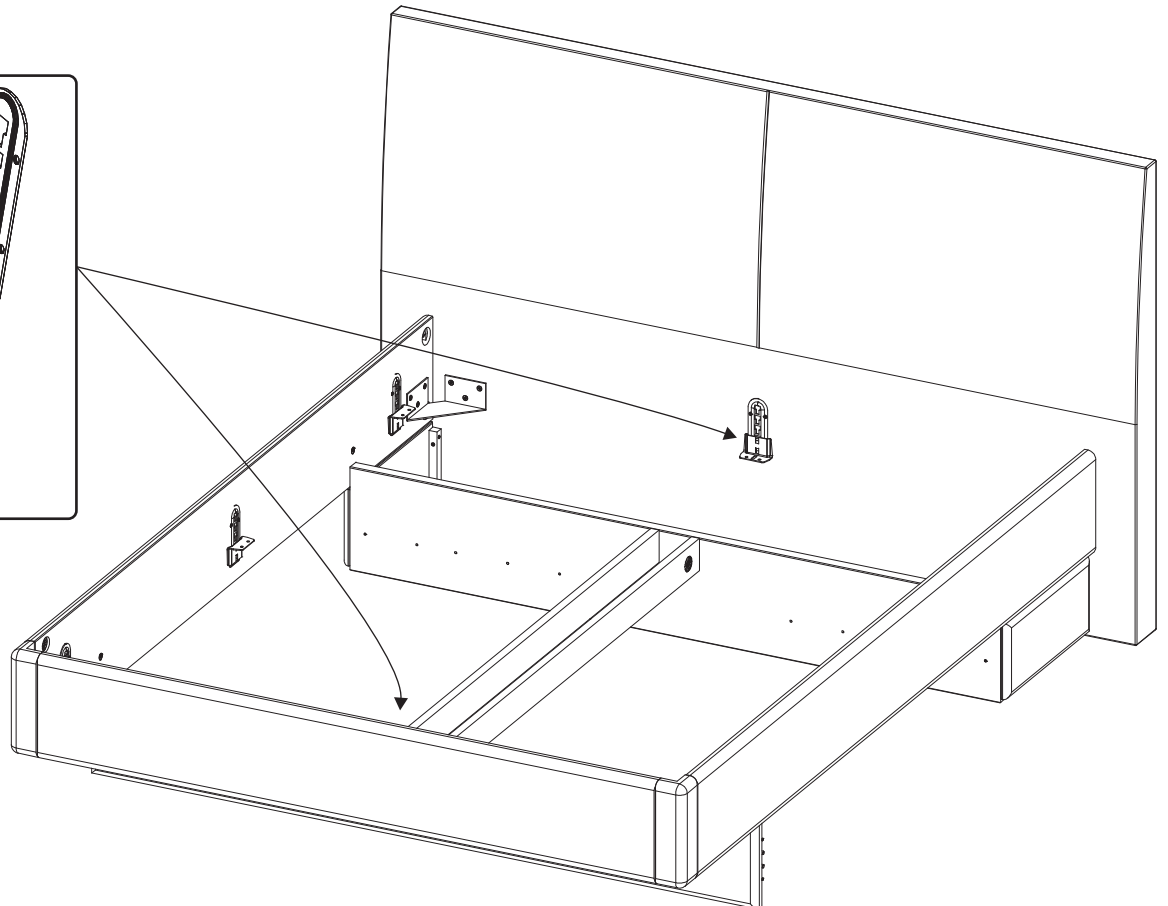
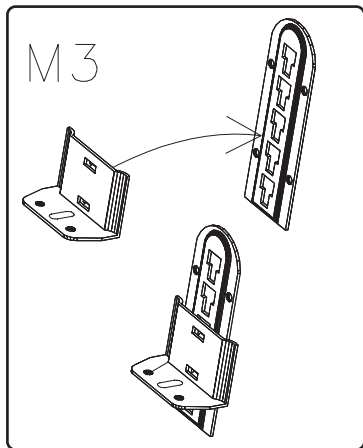
XII



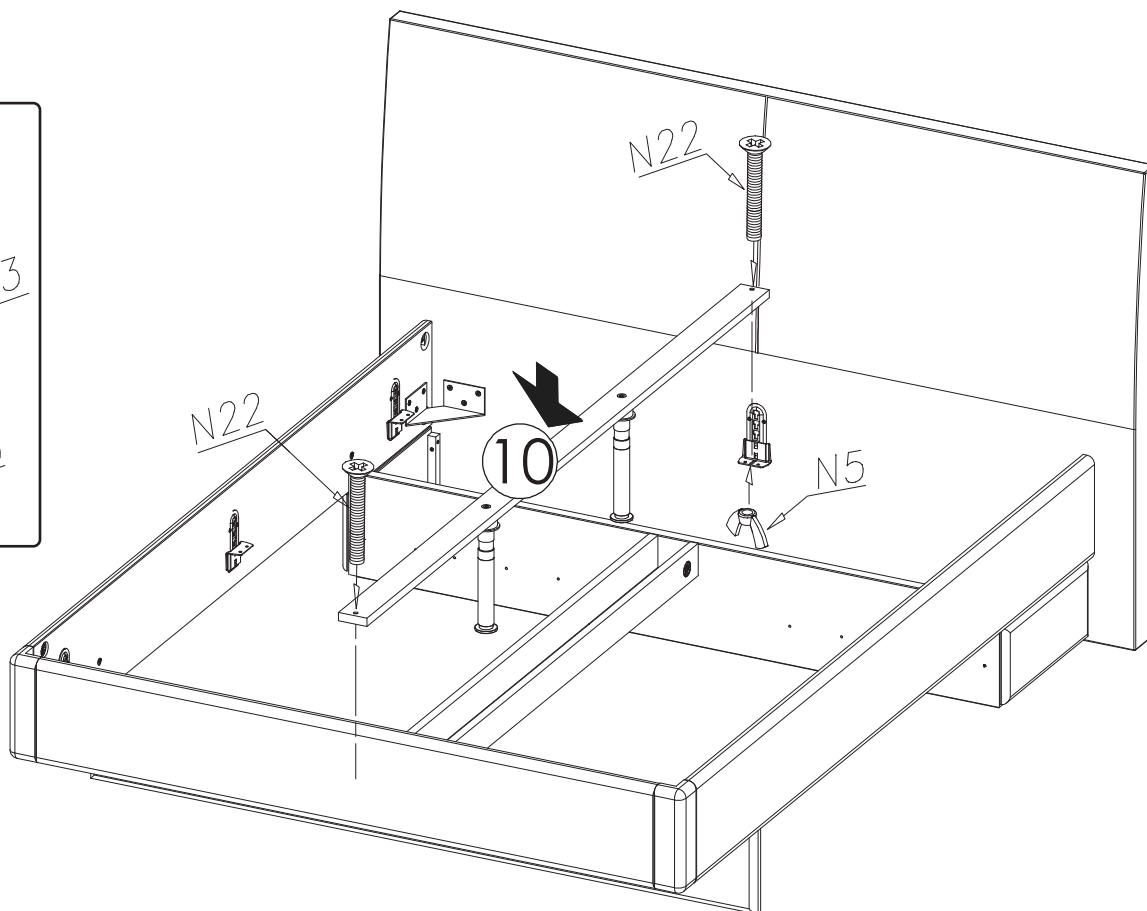
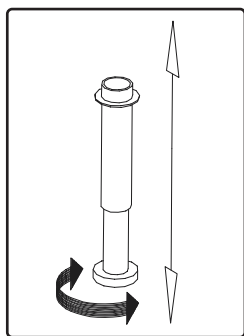
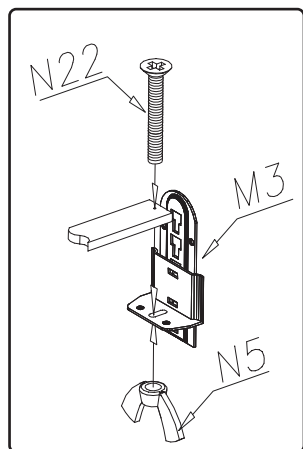
XIII



XIV



XV



XVI

