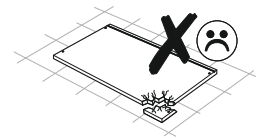
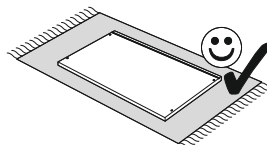
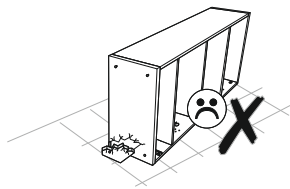
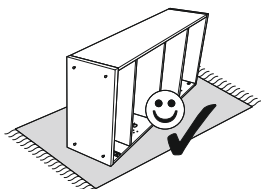
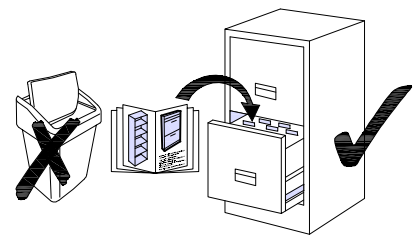
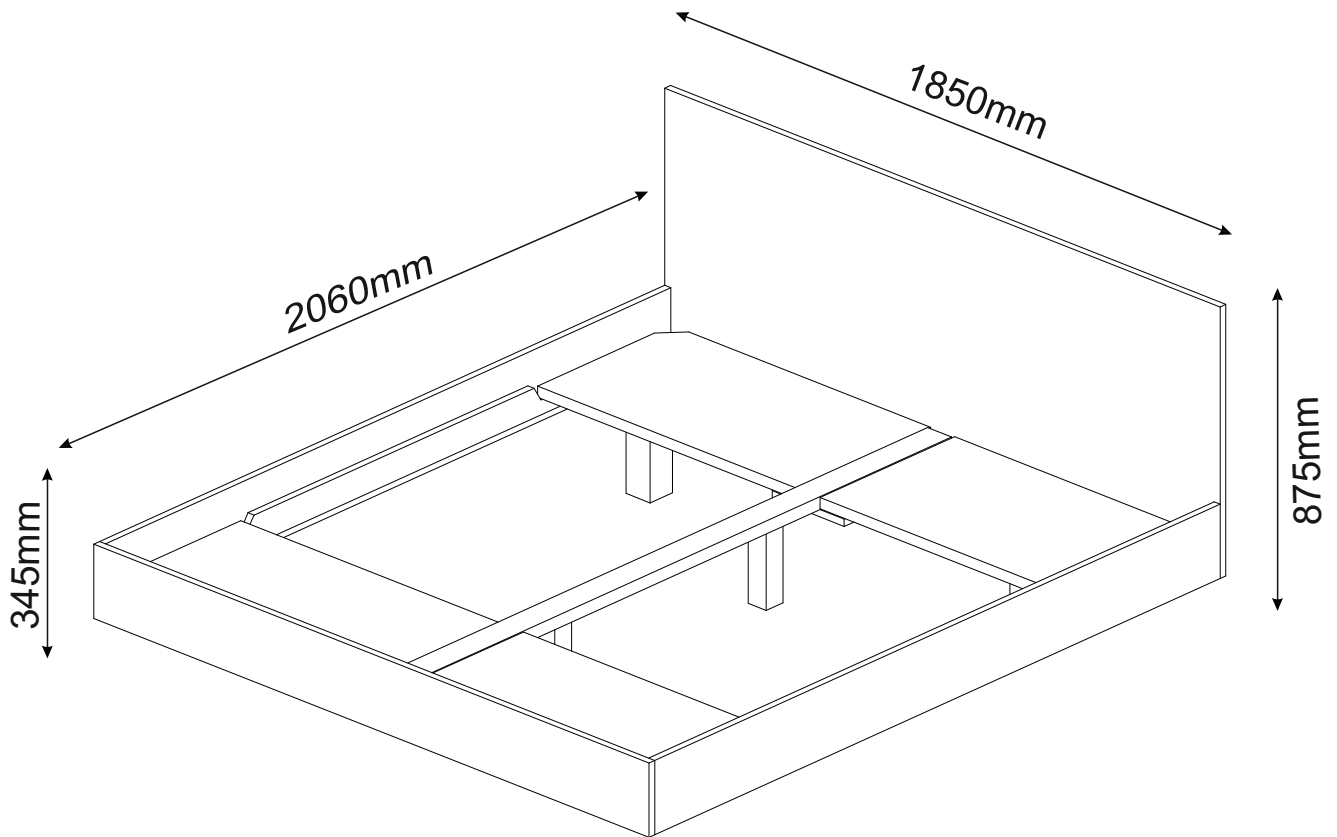
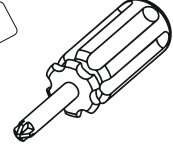
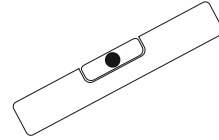
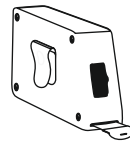
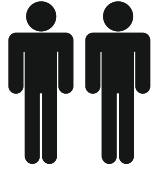
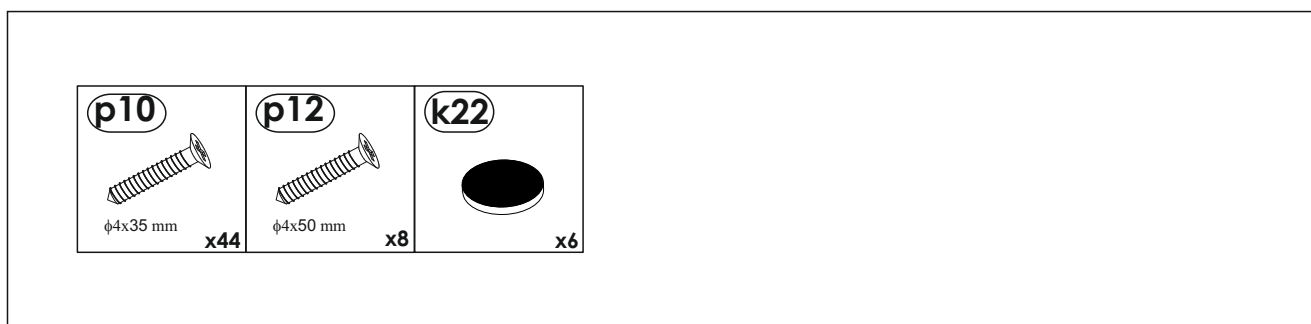
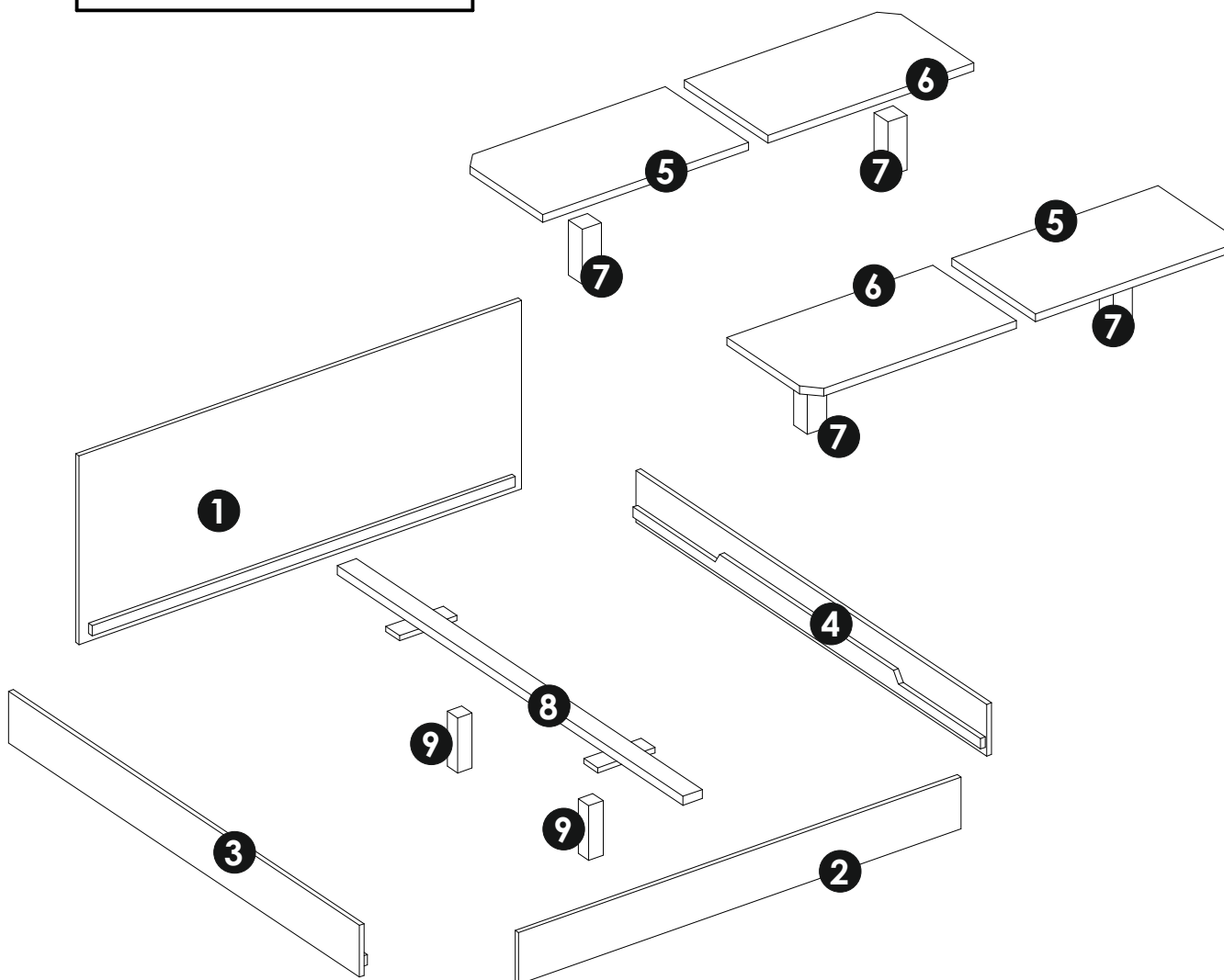
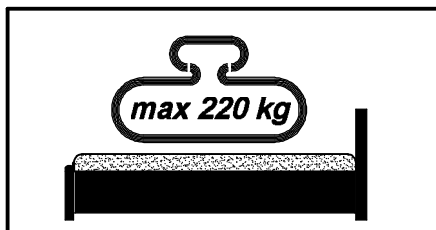


BED FLOAT

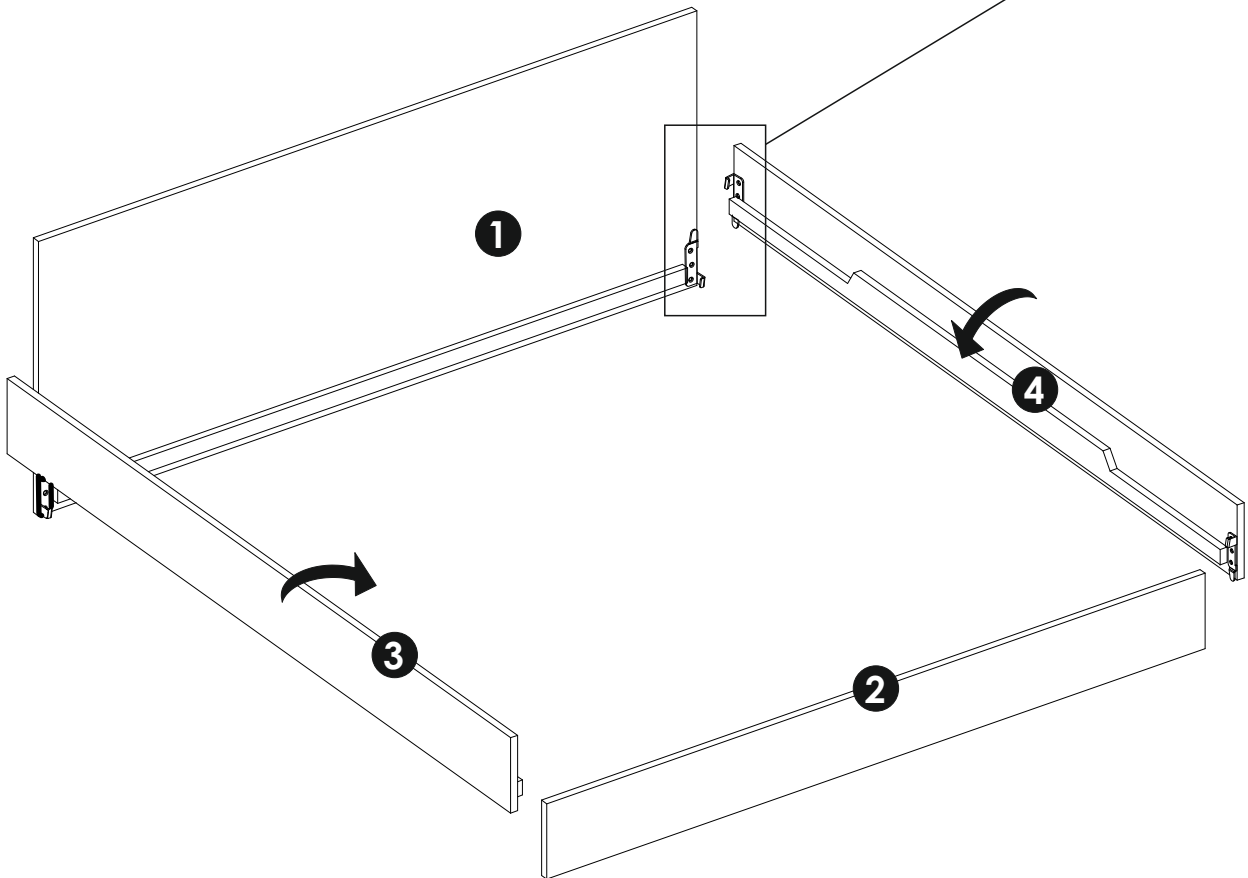
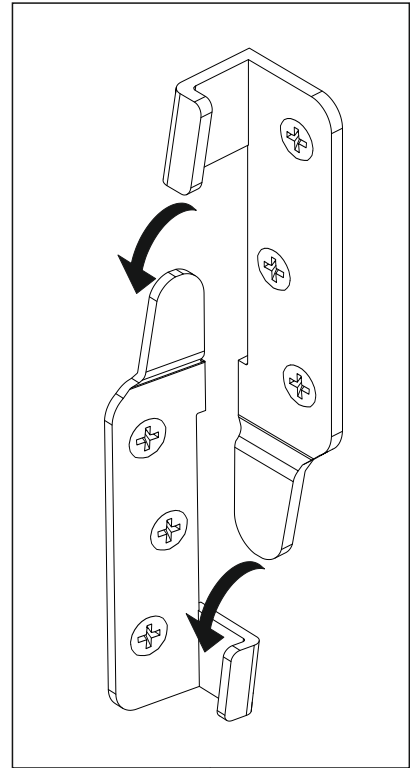
ASSEMBLY INSTRUCTION



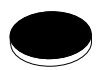


BED FLOAT



1



<p>2</p>	<p>p10</p>  <p>φ4x35 mm x16</p>	<p>p12</p>  <p>φ4x50 mm x8</p>	<p>k22</p>  <p>x6</p>
-----------------	---	--	---

